

# ellenberger

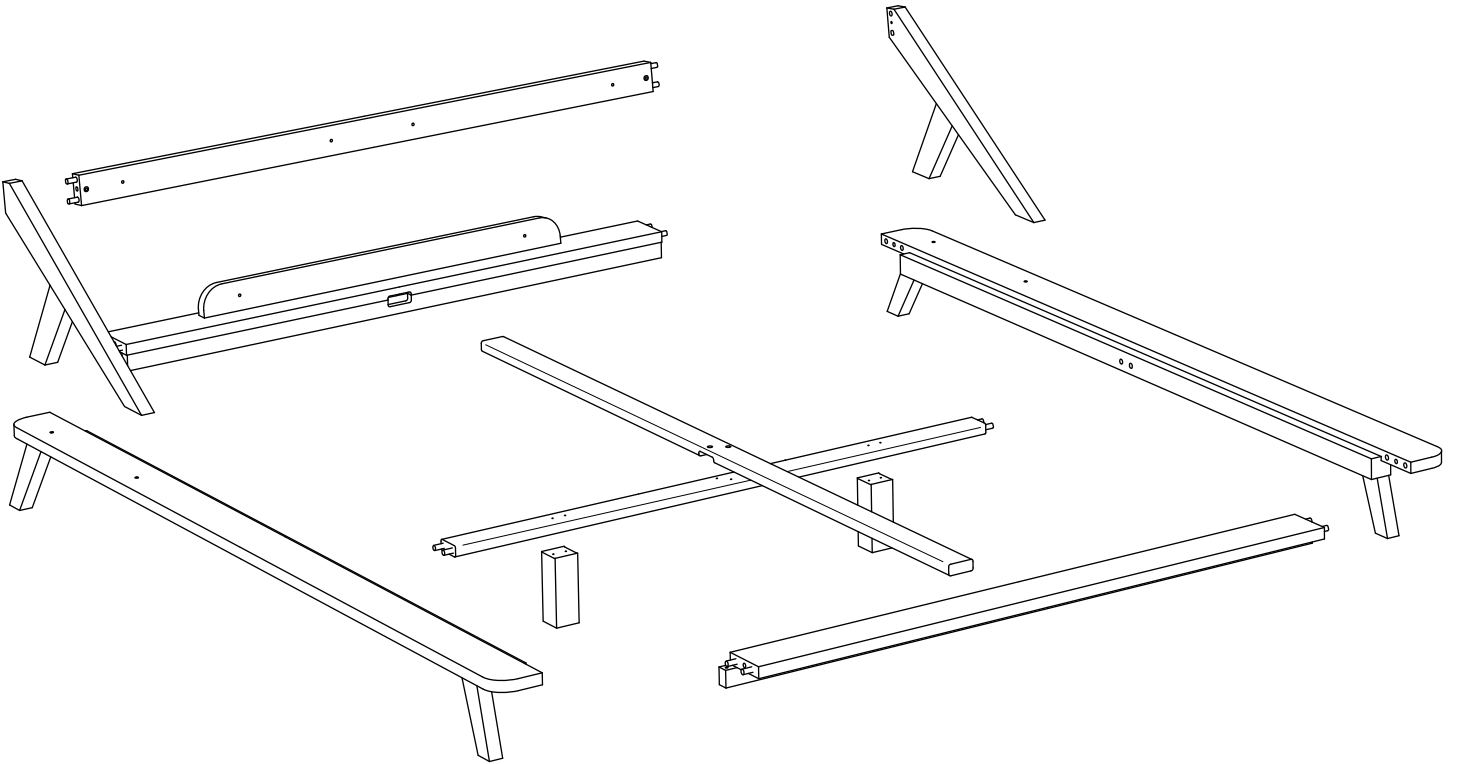
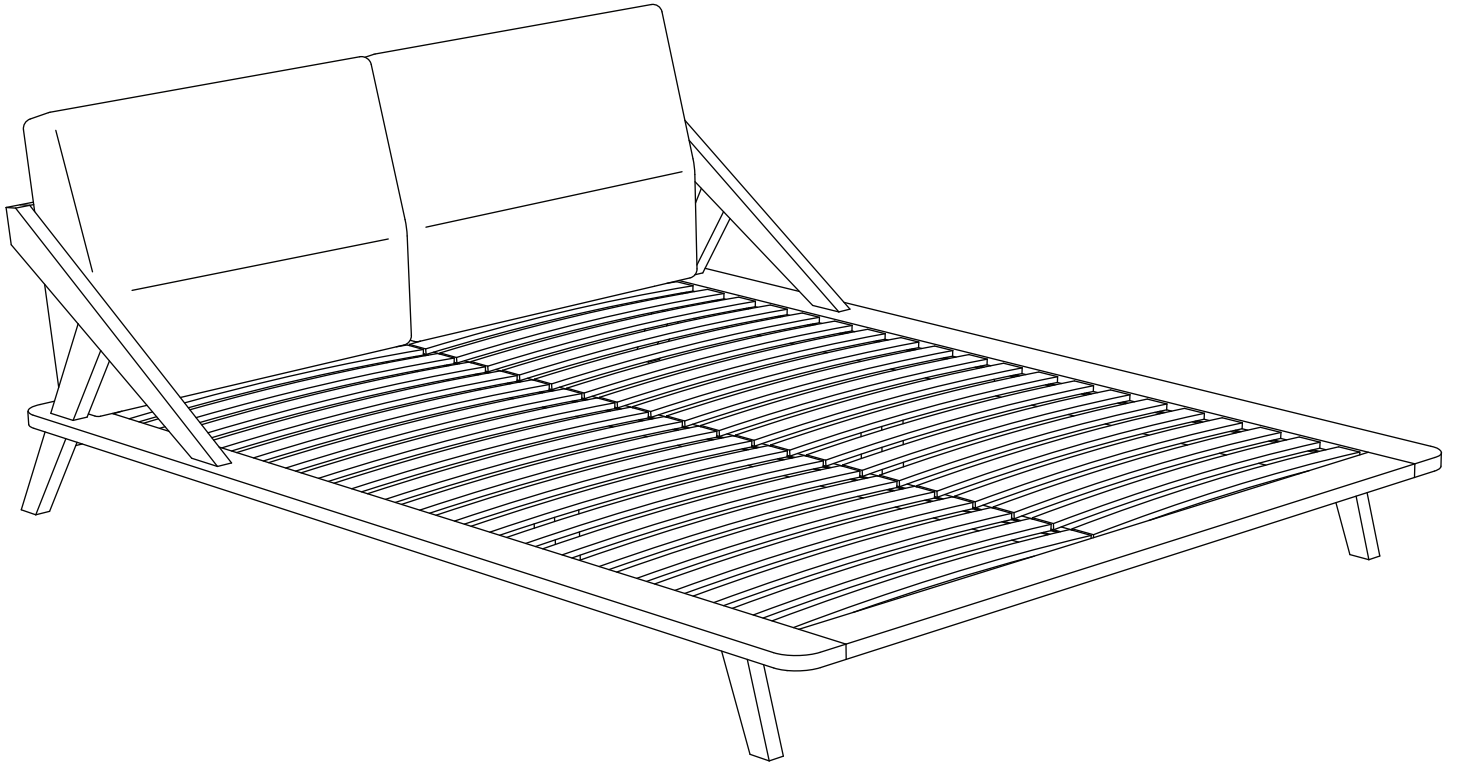
NORDIC SPACE FURNITURE COLLECTION

Bett | Bed

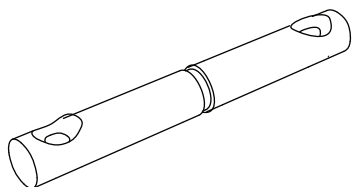


designed by Jannis Ellenberger

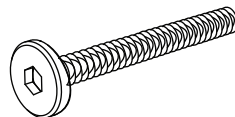
[www.ellenbergerdesign.de](http://www.ellenbergerdesign.de)



Art. - Nr.: NB-160 + NB-180 + NB-200



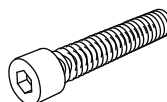
A = 4 x



E = 8 x



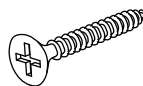
B = 10 x



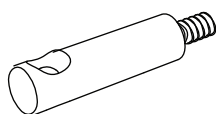
F = 4 x



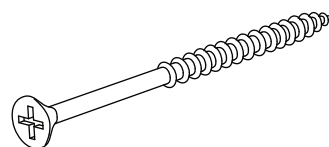
C = 10 x



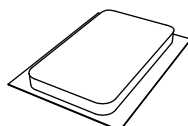
G = 12 x



D = 2 x

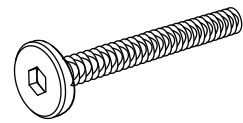
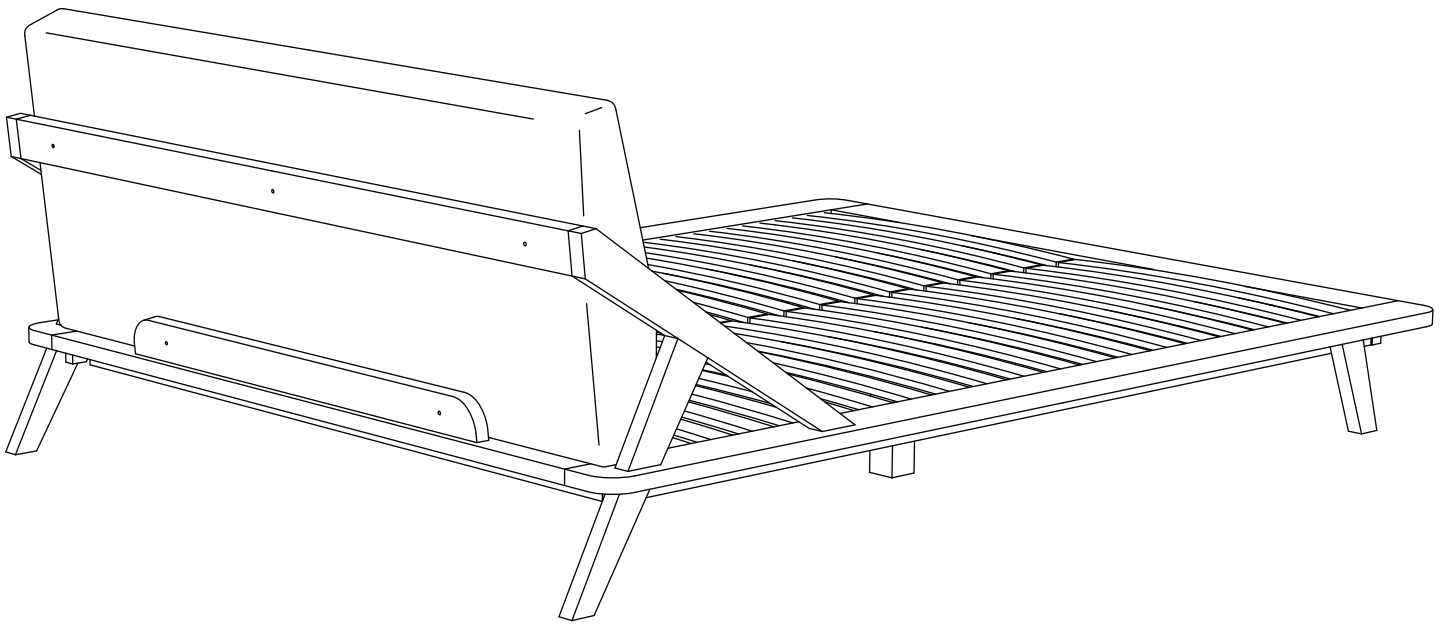


H = 4 x

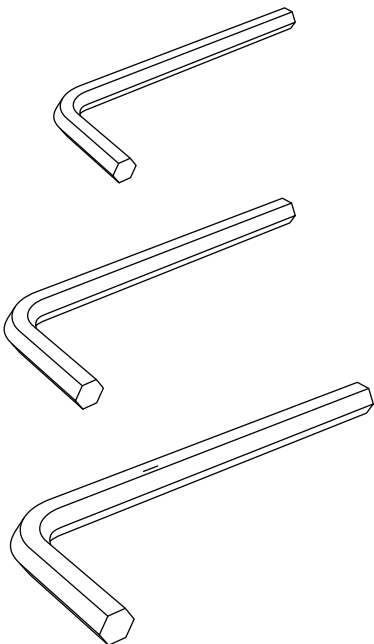


J = 6 x

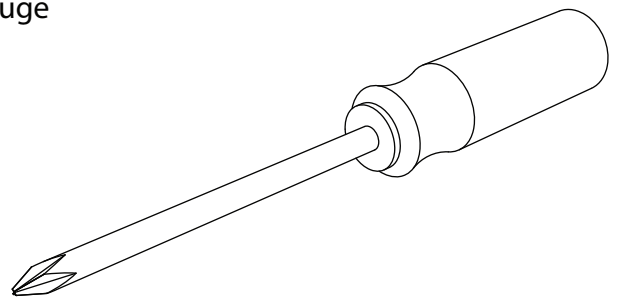
Art. - Nr.: NB-140



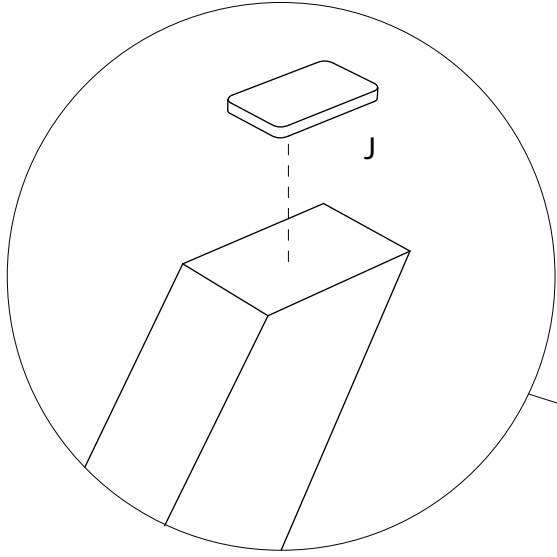
E = 7 x



benötigte Werkzeuge  
tools needed

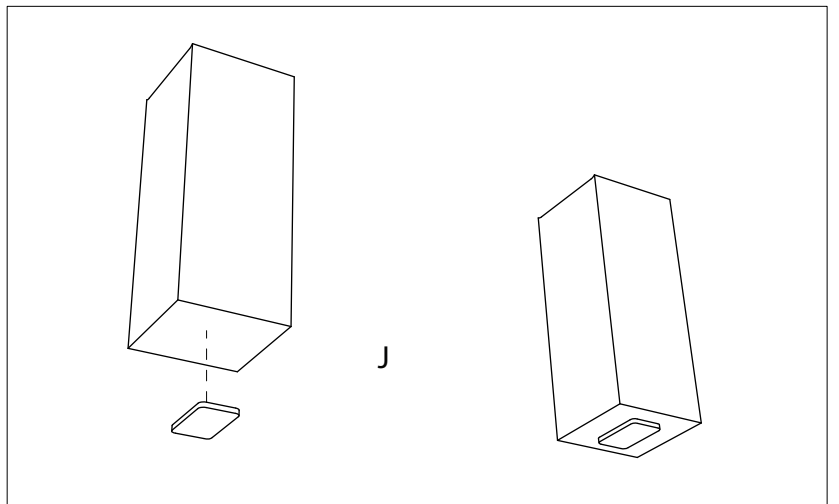
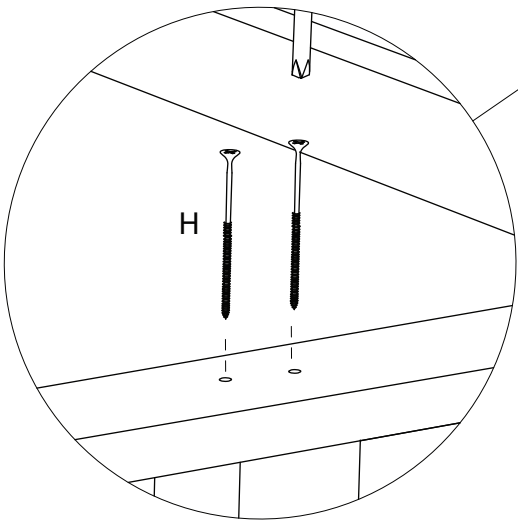
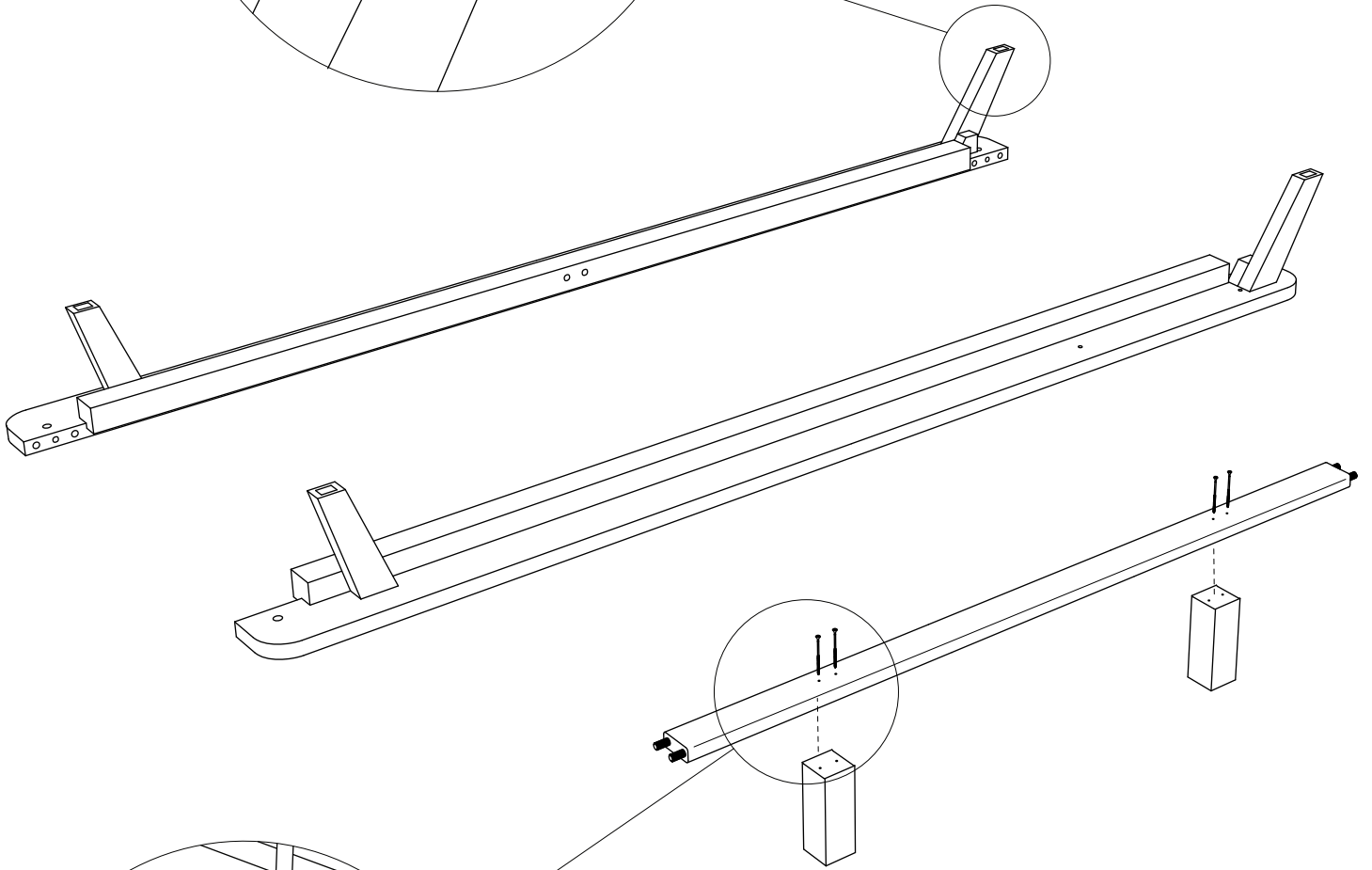


1

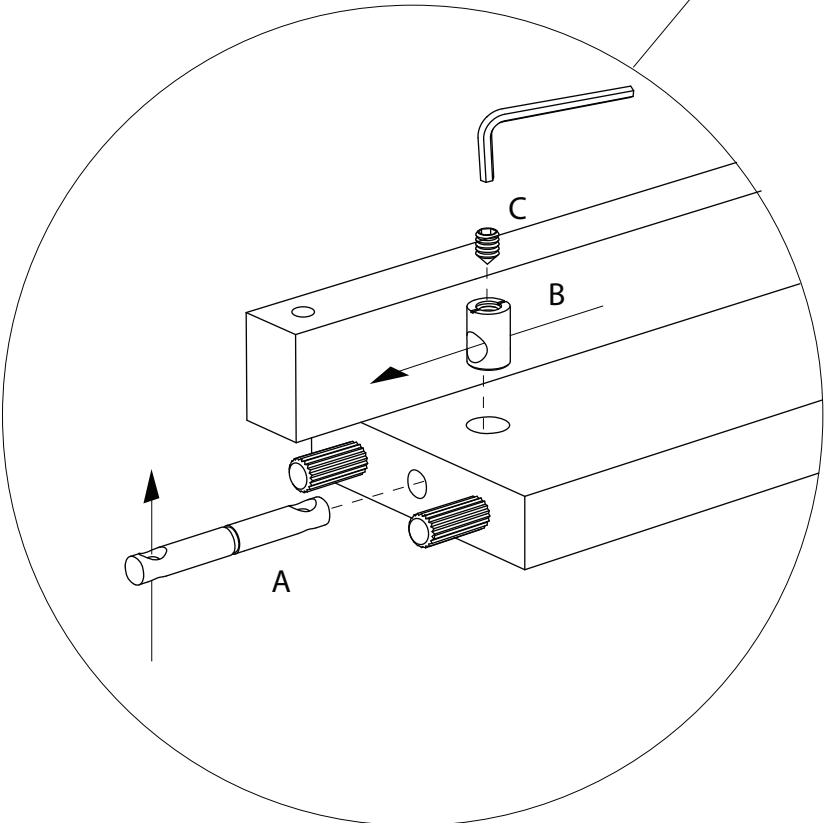
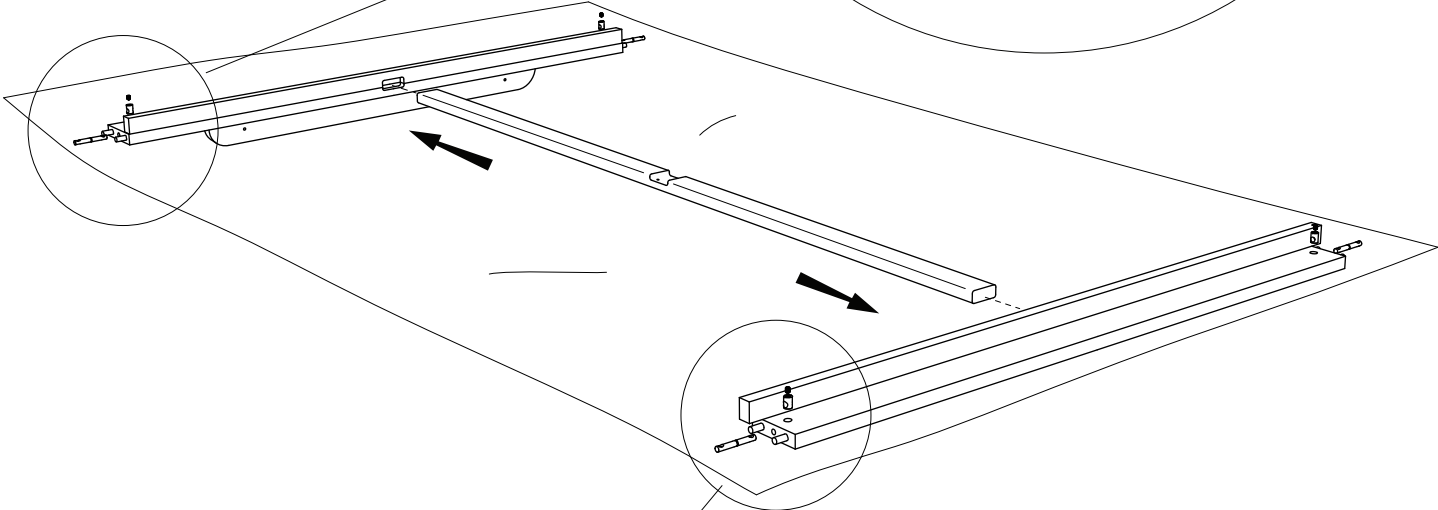
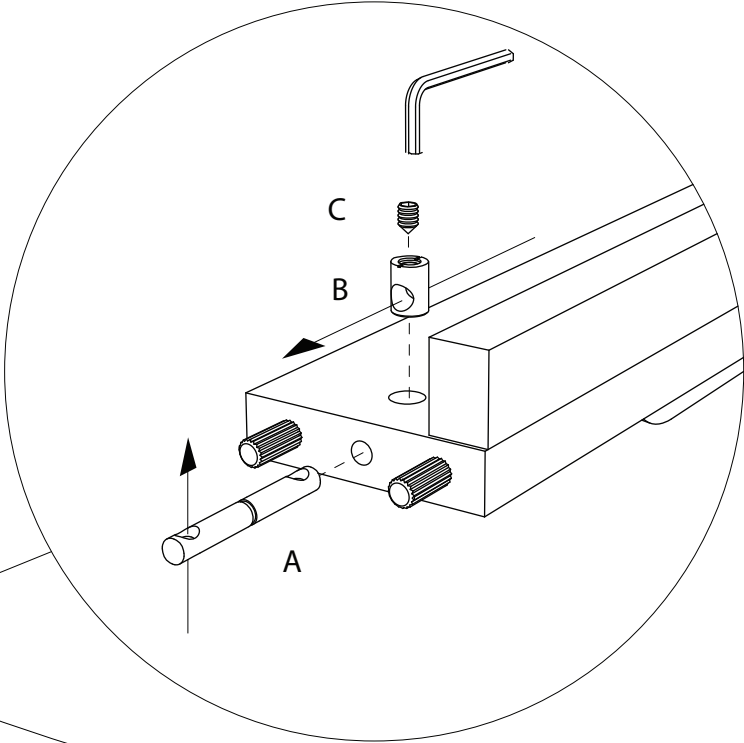
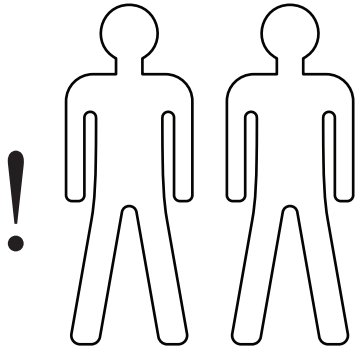


J = 6 x

H = 4 x



2



A = 4 x

B = 4 x

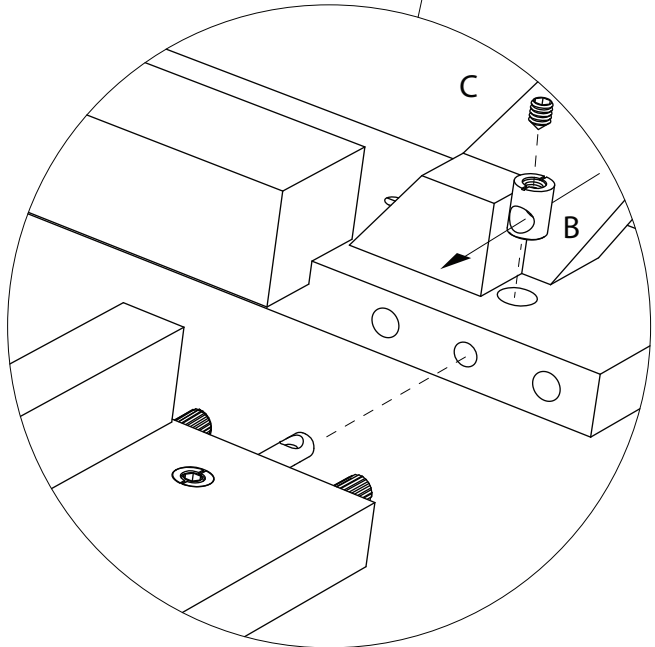
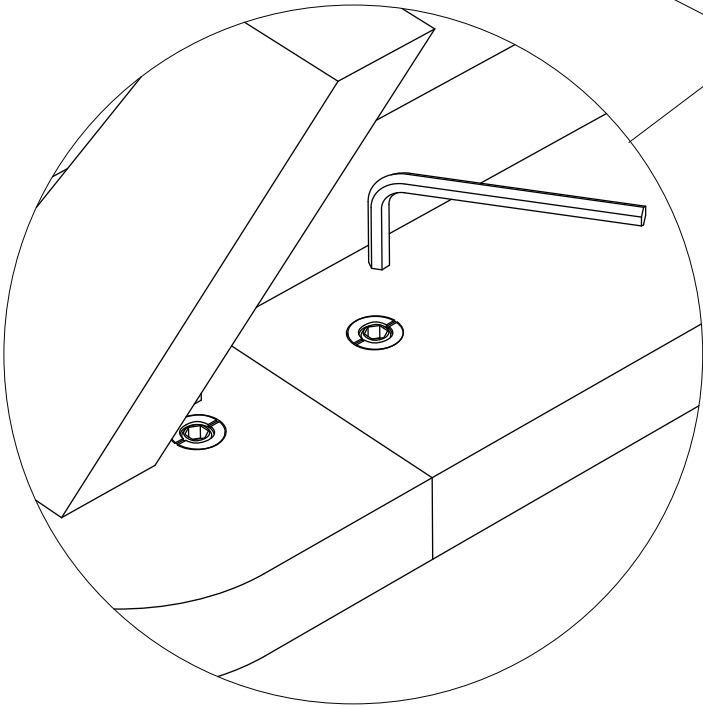
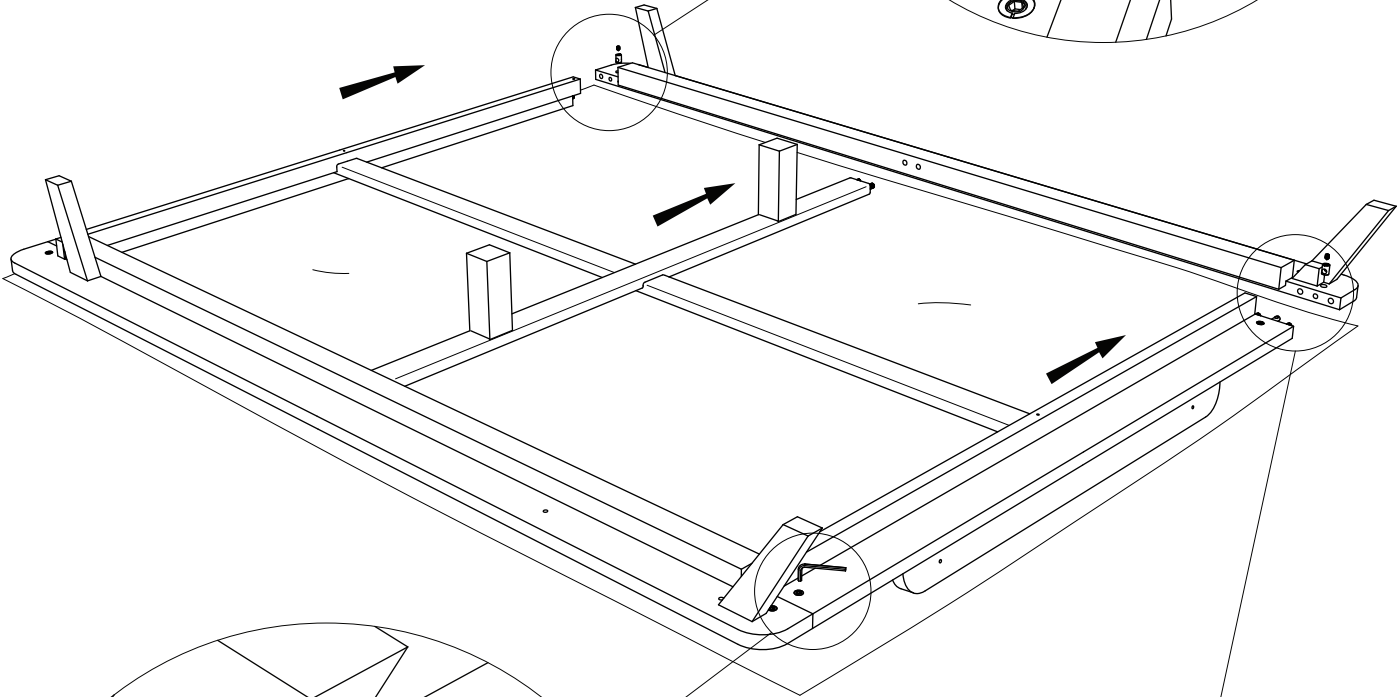
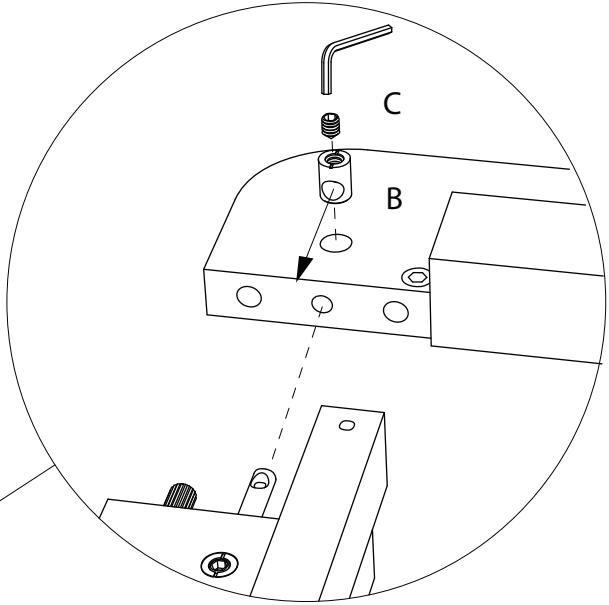
C = 4 x

! nur leicht anziehen  
do not tighten too firmly

3

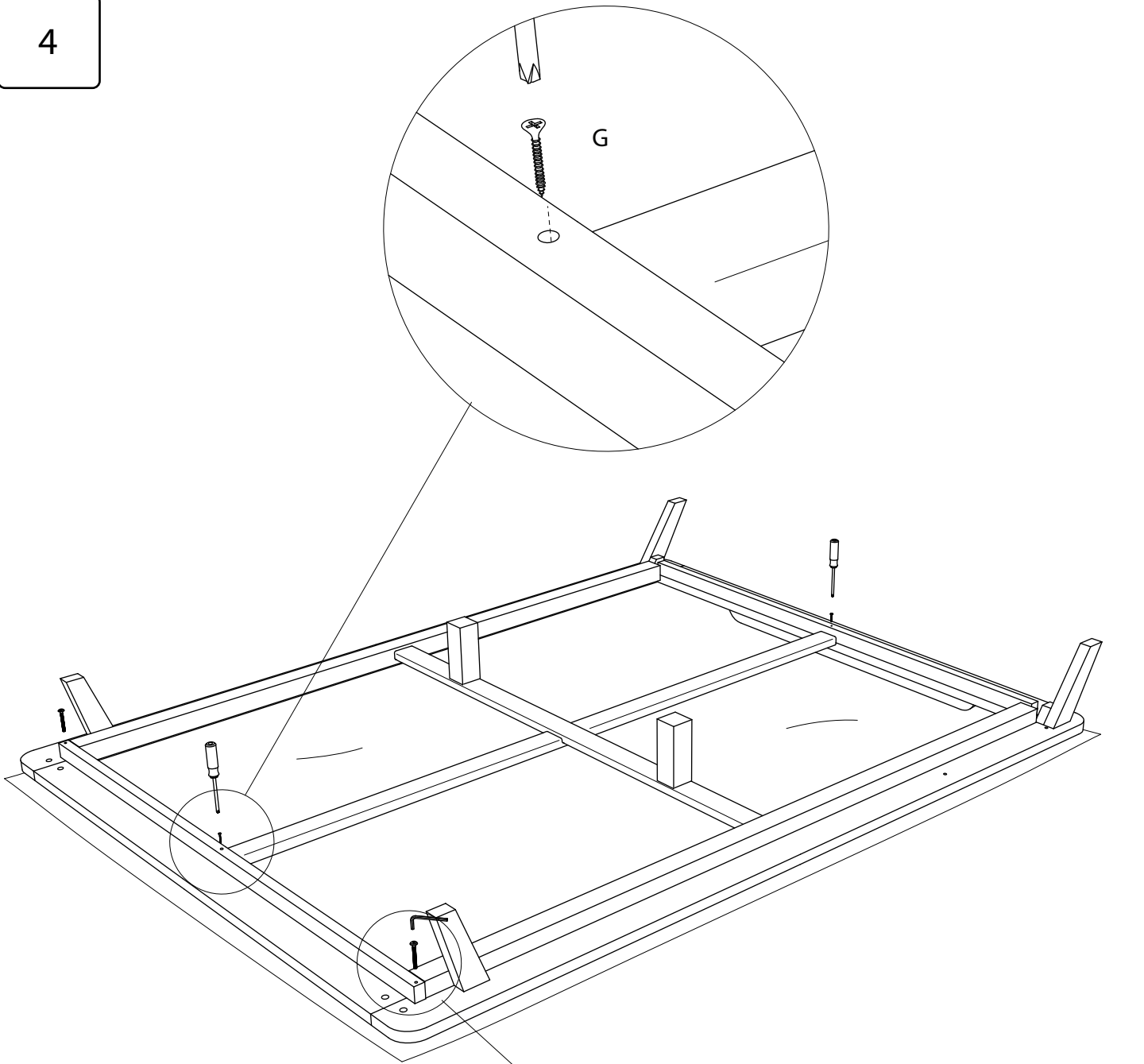
B = 4 x

C = 4 x



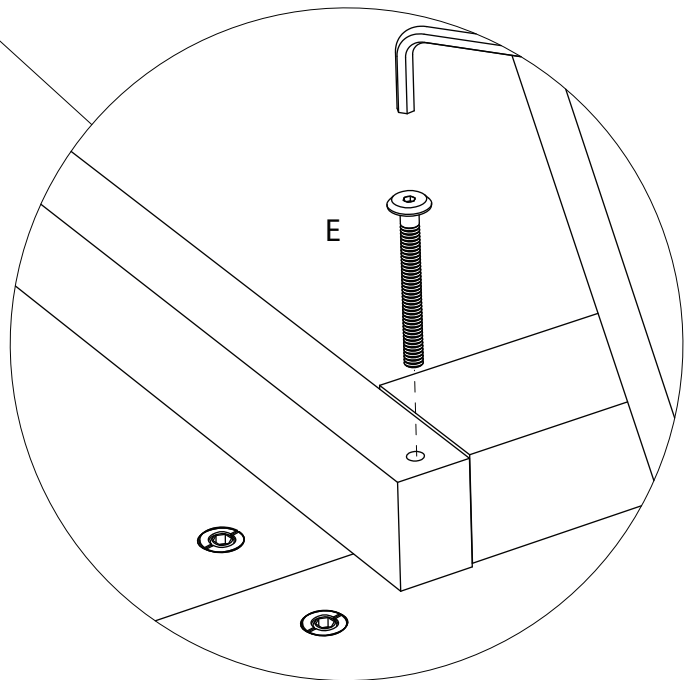
! alle fest anziehen  
! tighten all firmly

4



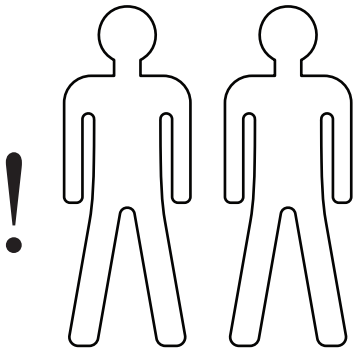
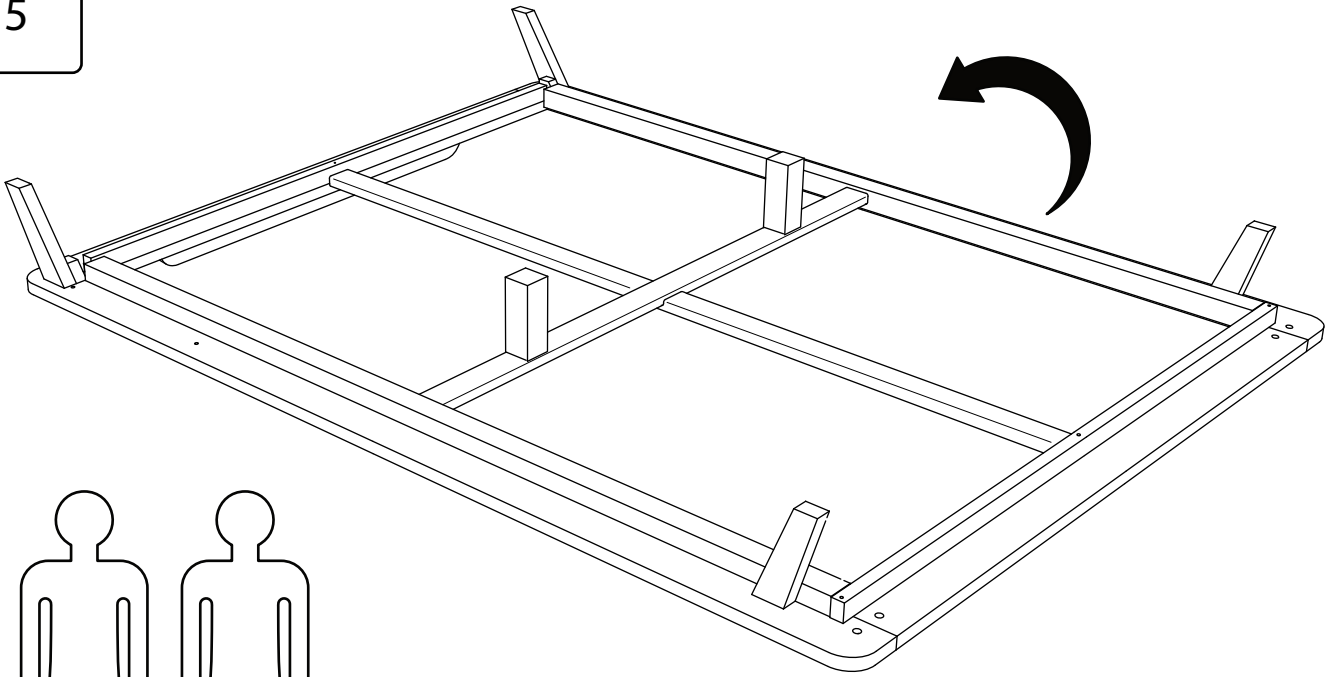
E = 2 x

G = 2 x

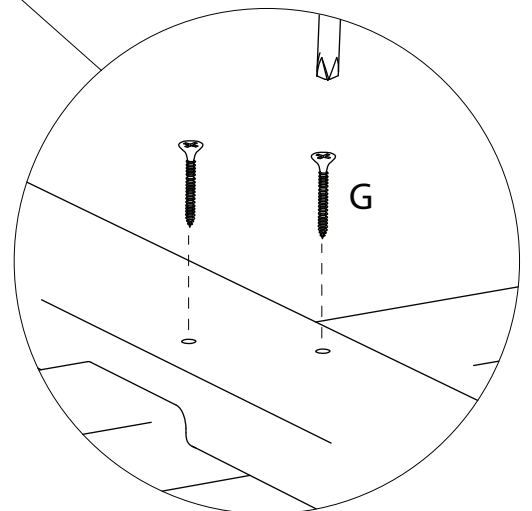
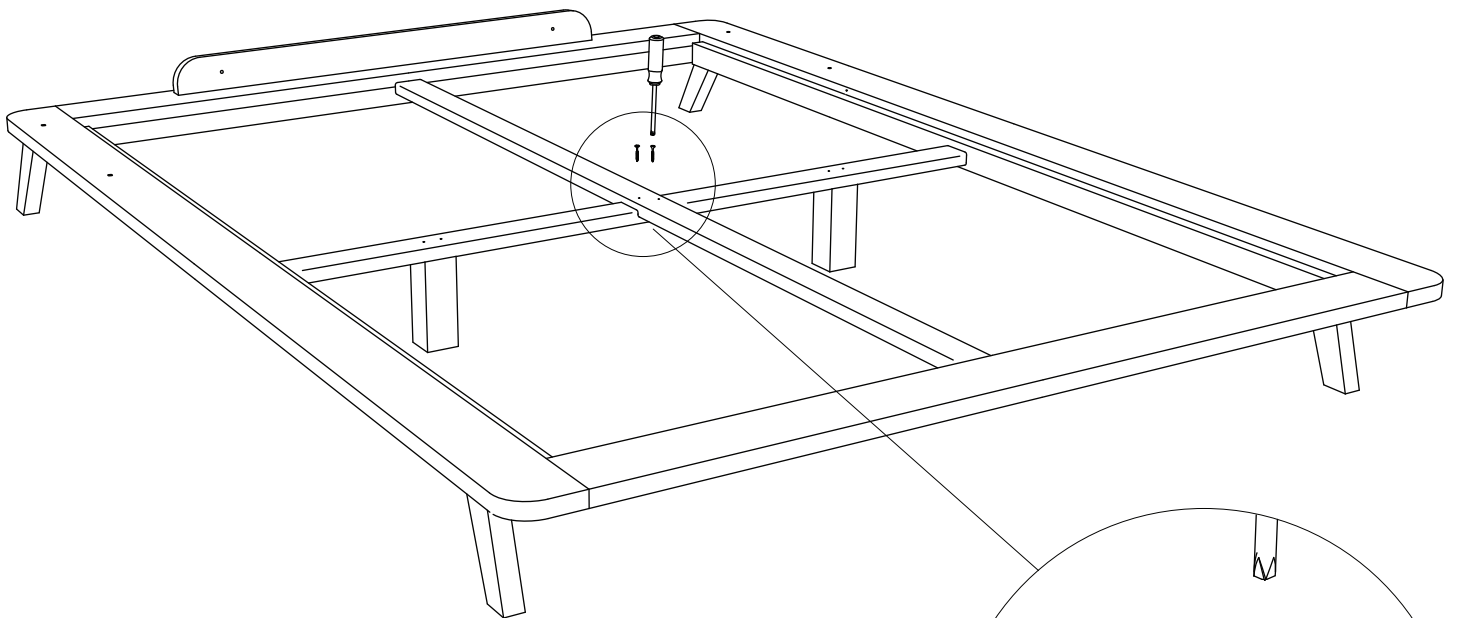




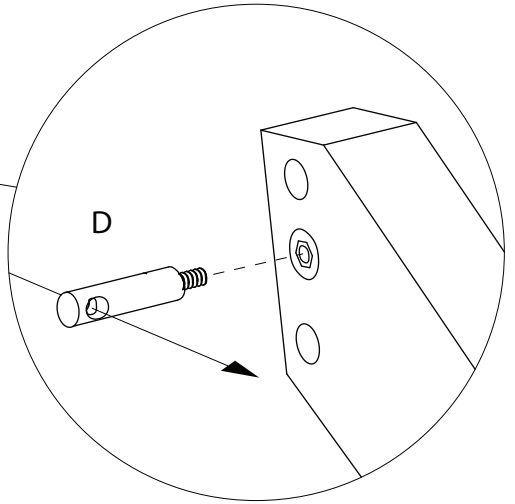
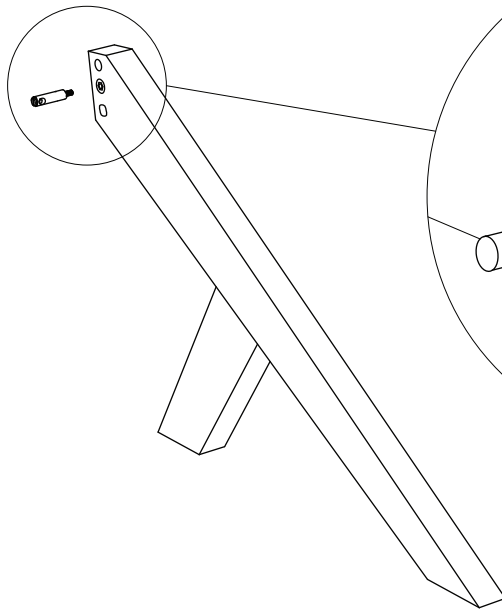
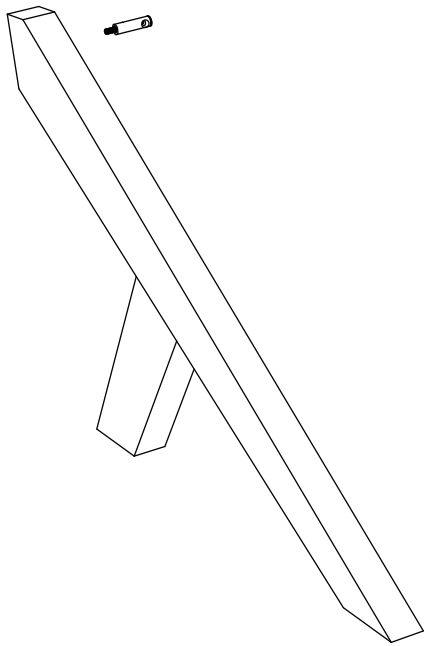
5



G = 2 x



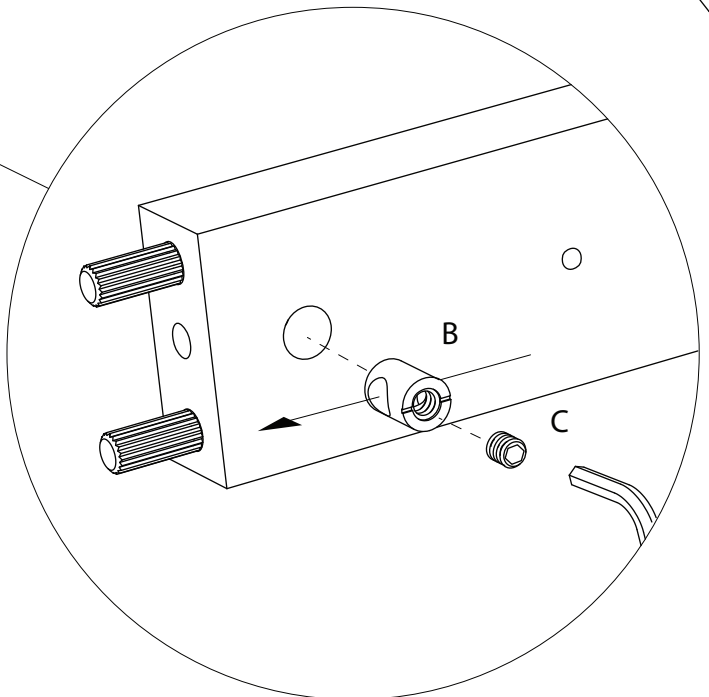
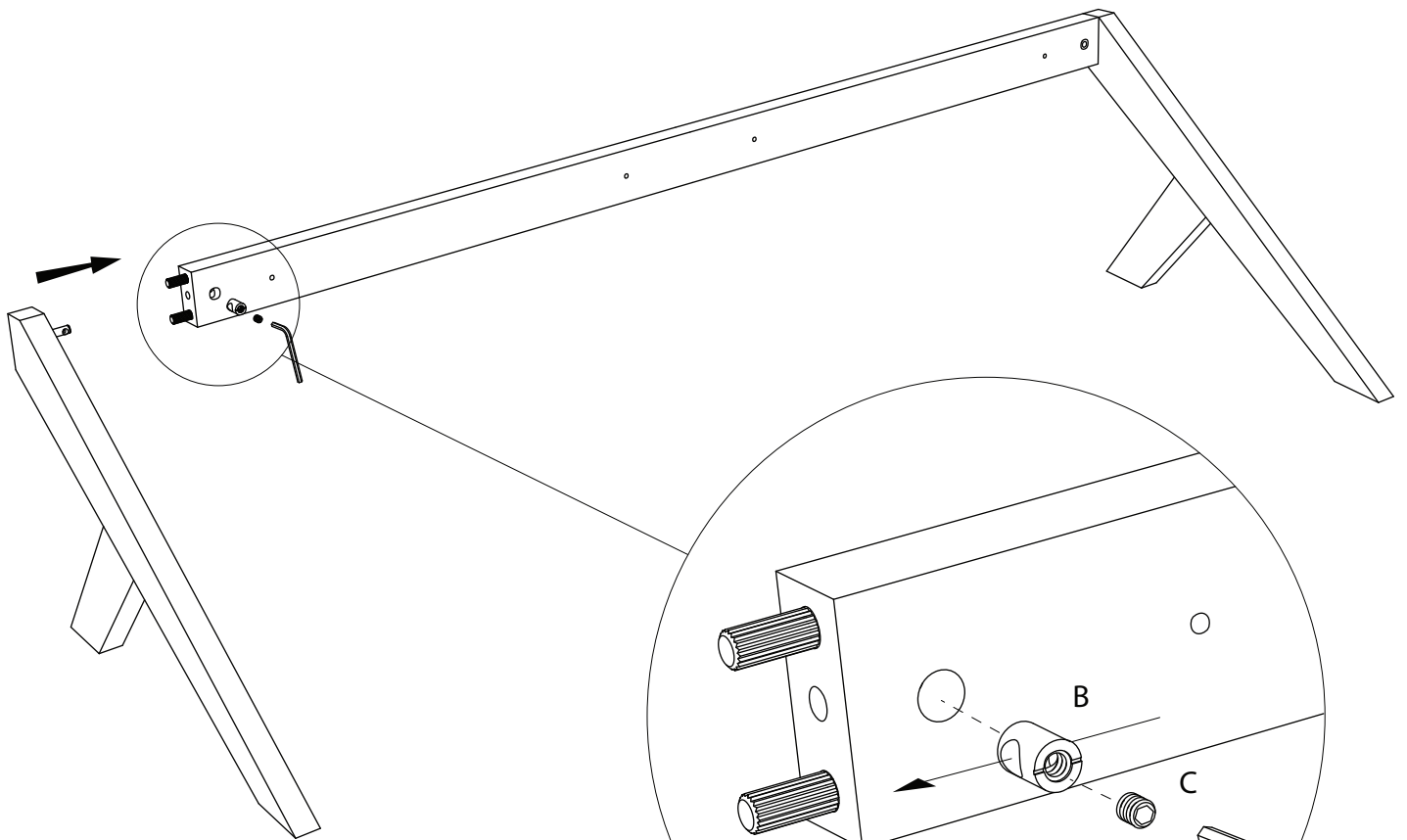
6



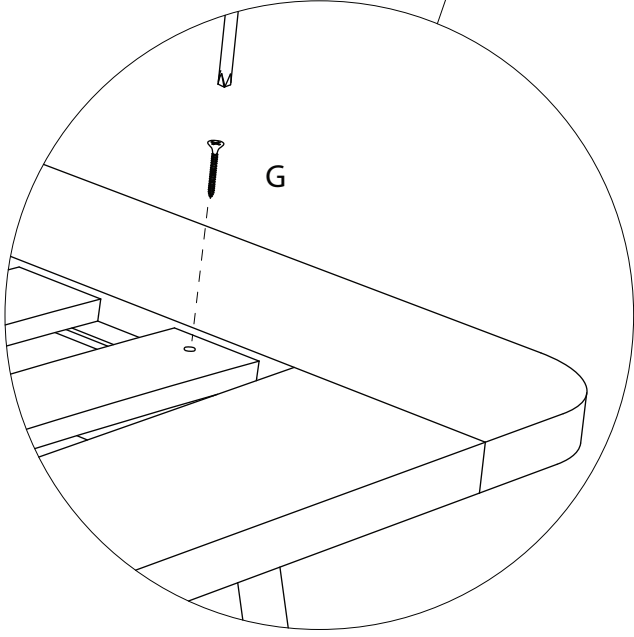
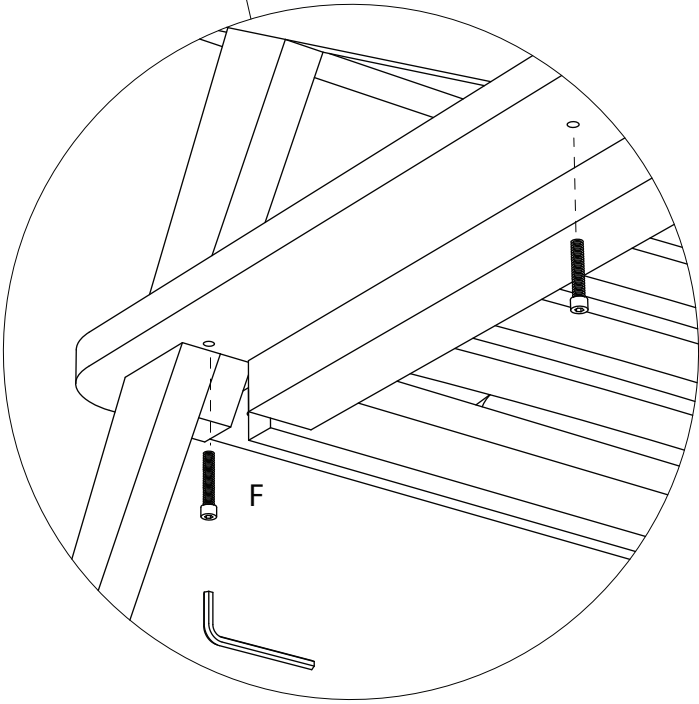
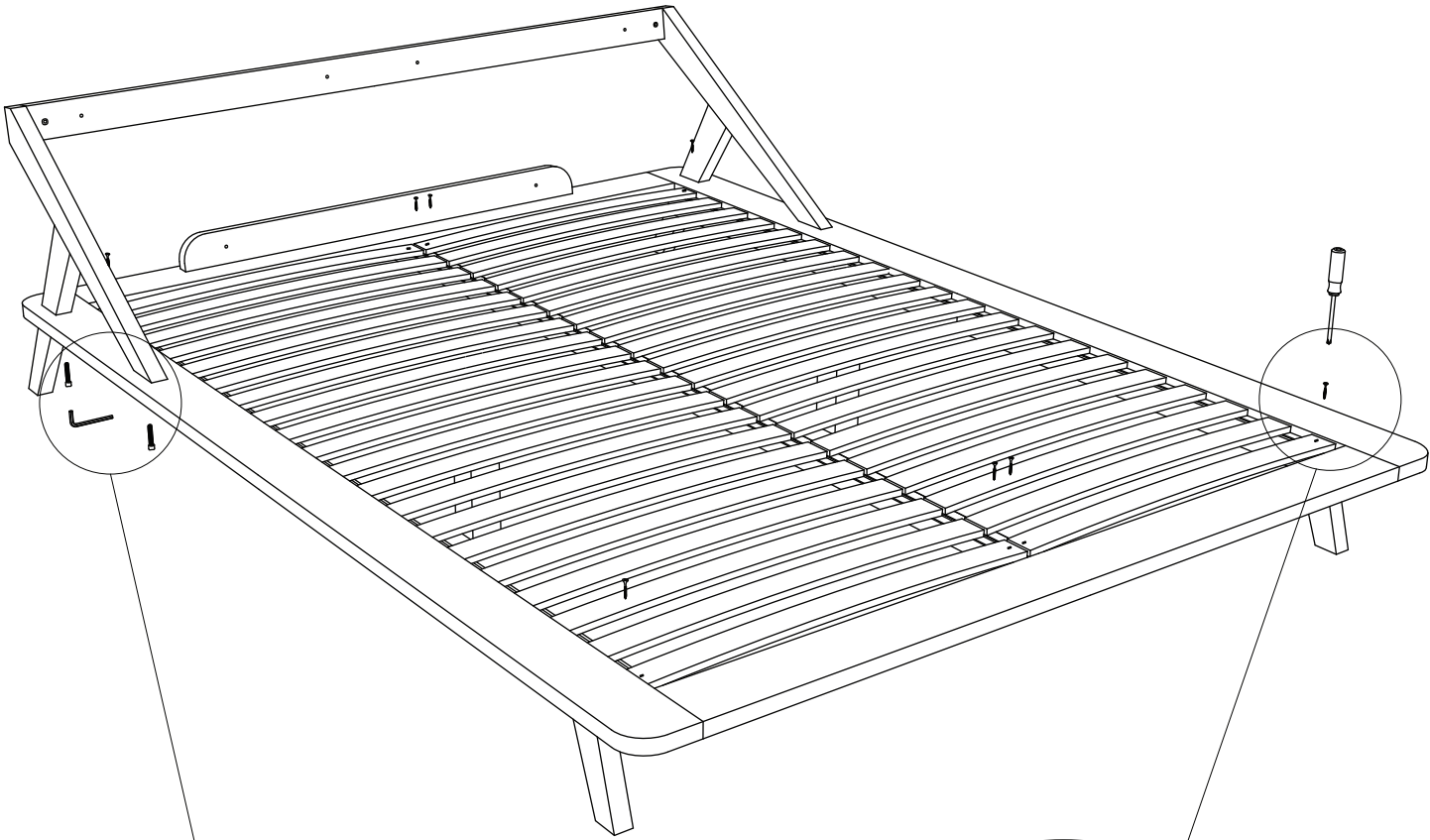
B = 2 x

C = 2 x

D = 2 x



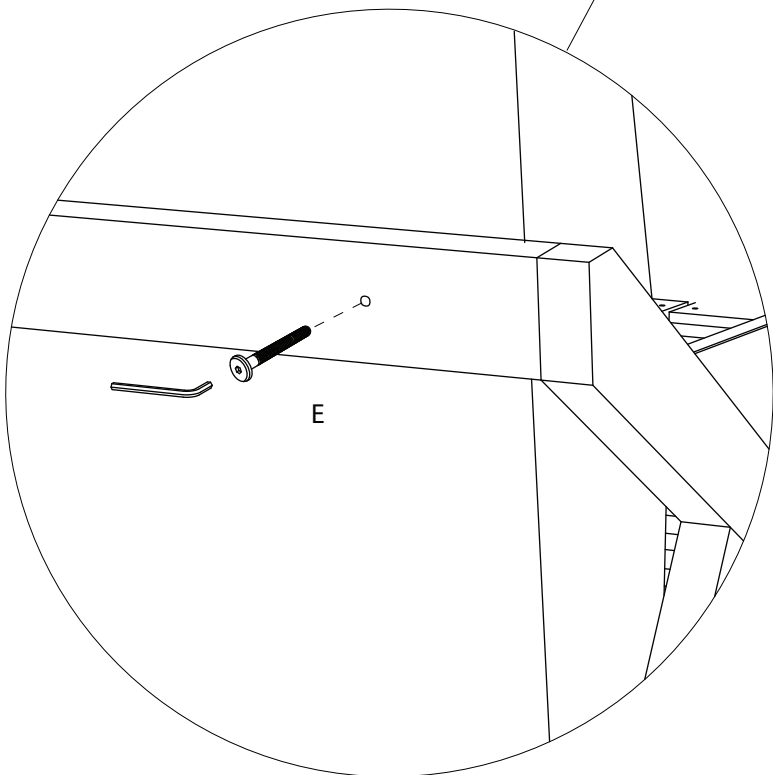
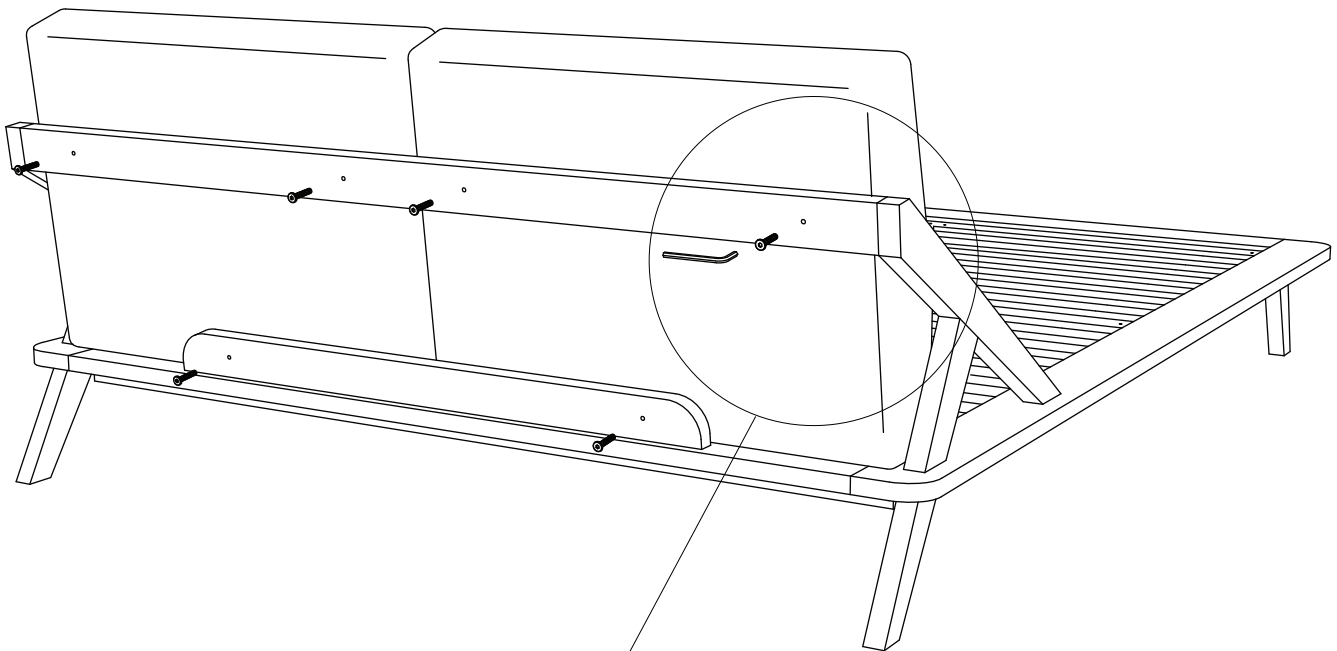
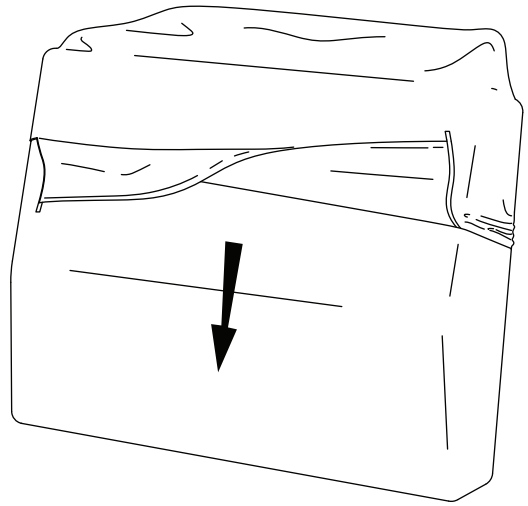
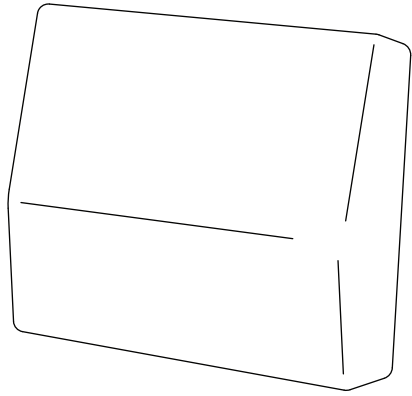
7



F = 4 x

G = 8 x

8



E = 6 x