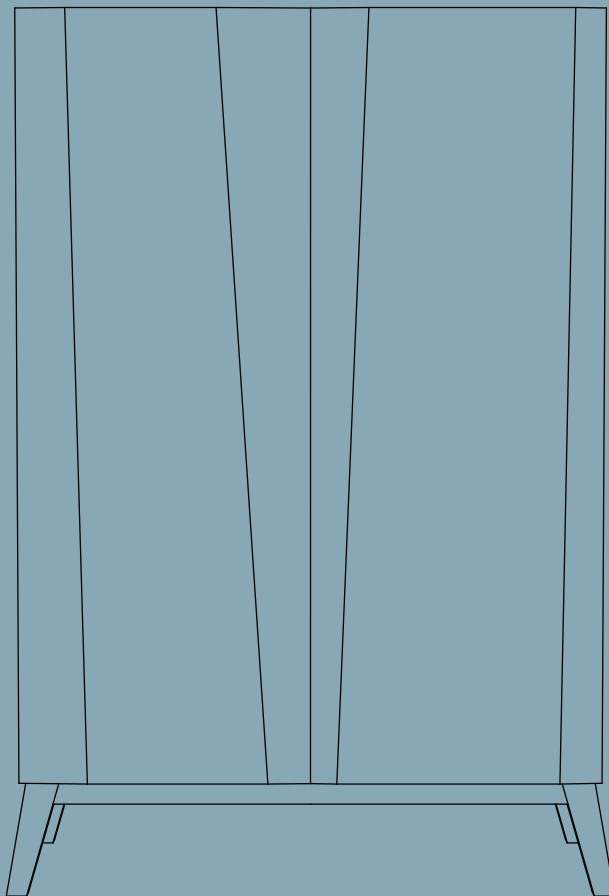


# ellenberger

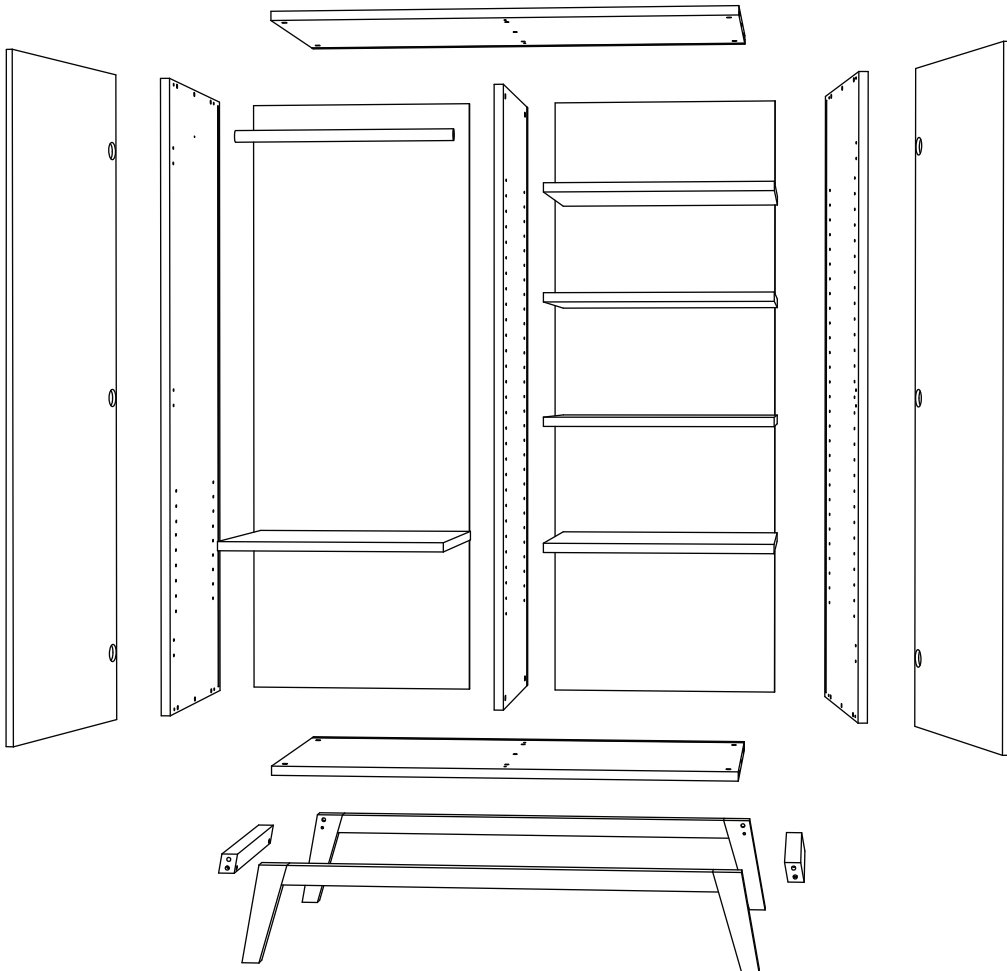
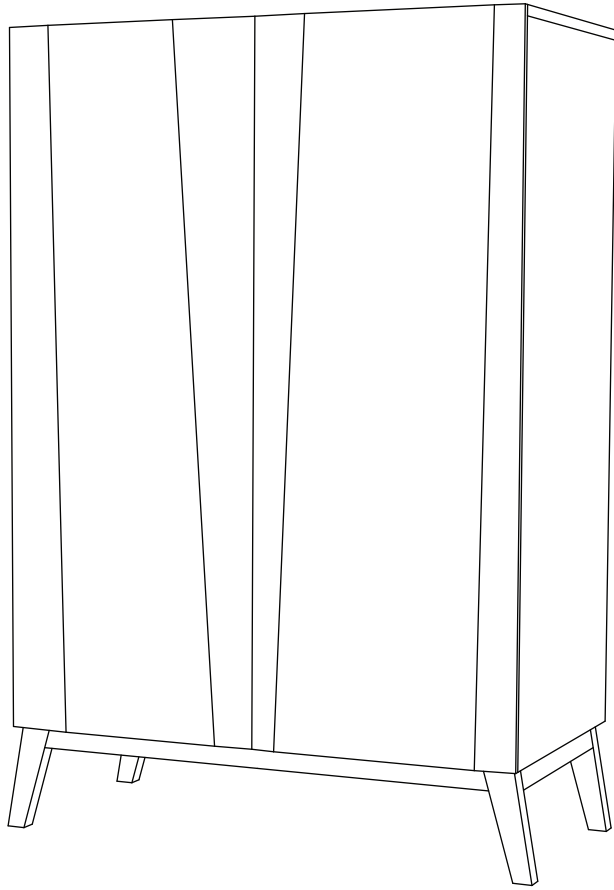
PRIVATE SPACE FURNITURE COLLECTION

Garderobenschrank | Small Closet

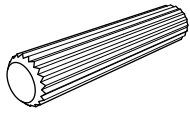


designed by Jannis Ellenberger

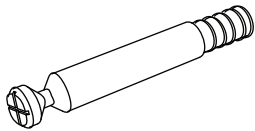
[www.ellenbergerdesign.de](http://www.ellenbergerdesign.de)



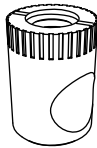
Art. - Nr.: PS37



A = 22 x



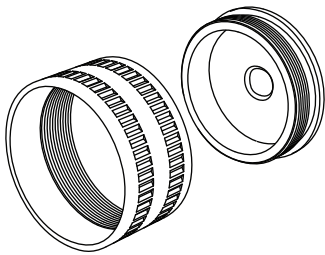
B = 16 x



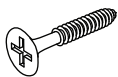
C = 16 x



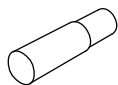
D = 16 x



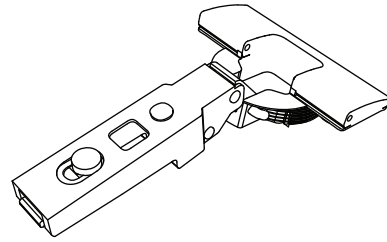
E = 2 x



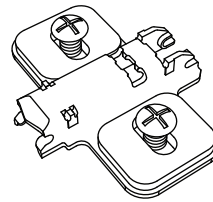
F = 2 x



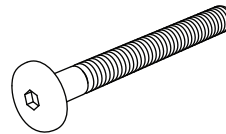
G = 20 x



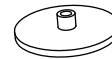
H = 6 x



K = 6 x

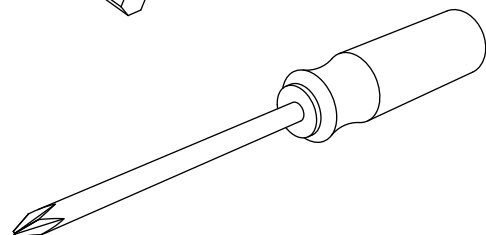
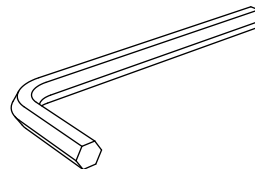


L = 4 x

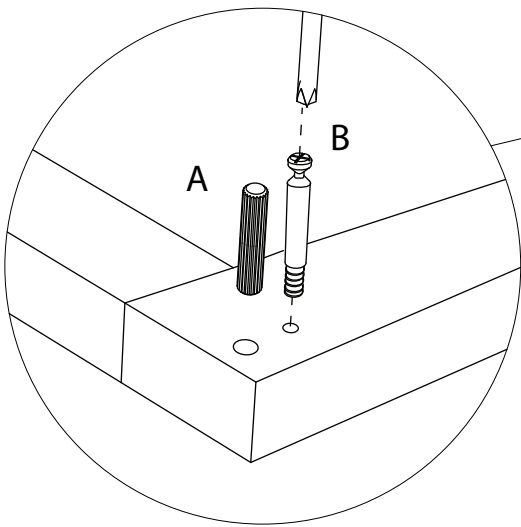
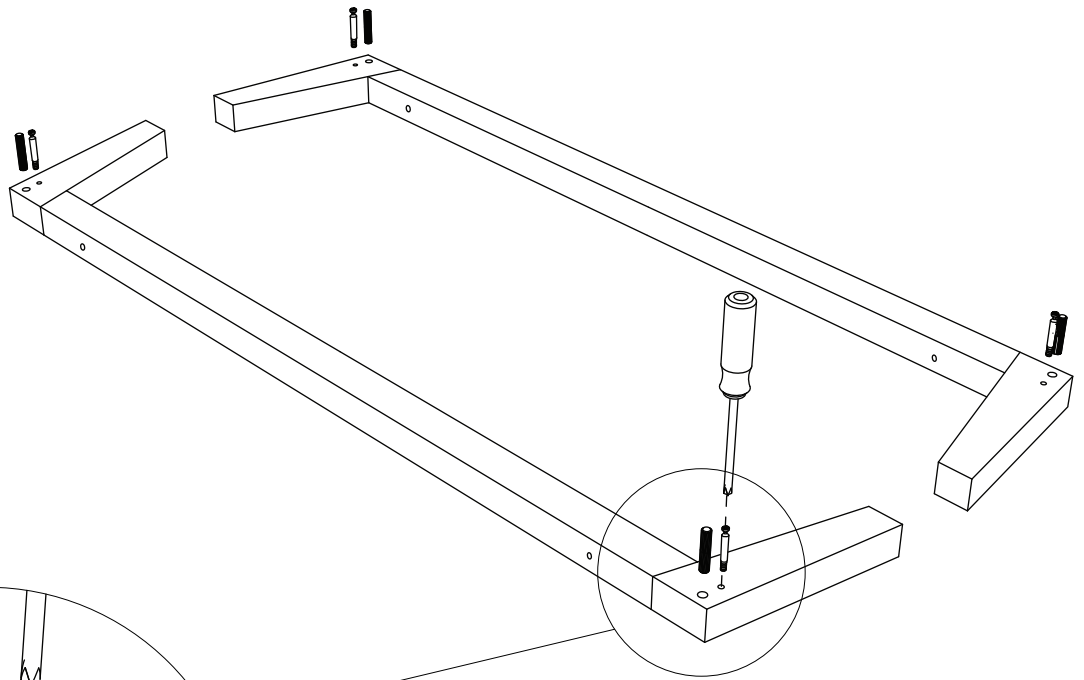


M = 12 x

tools needed

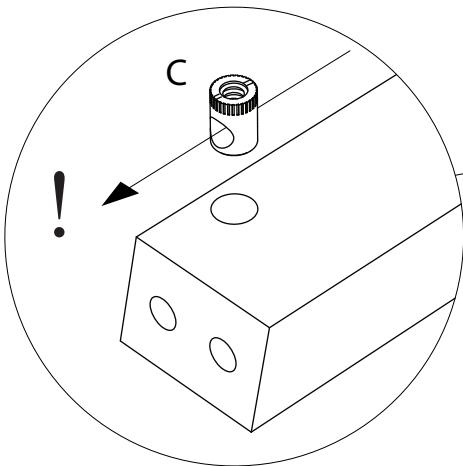
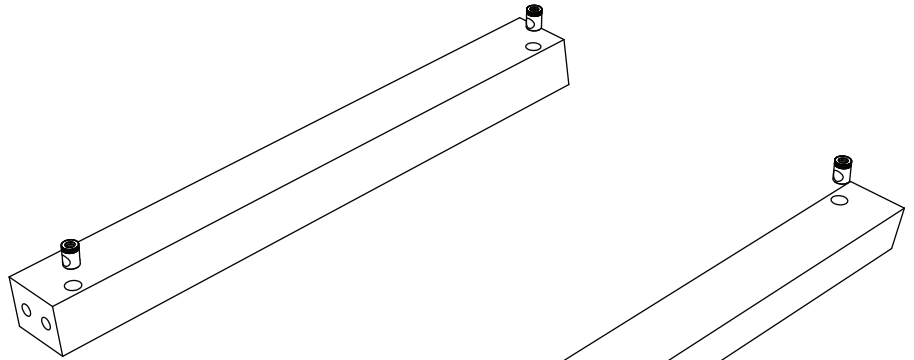


1



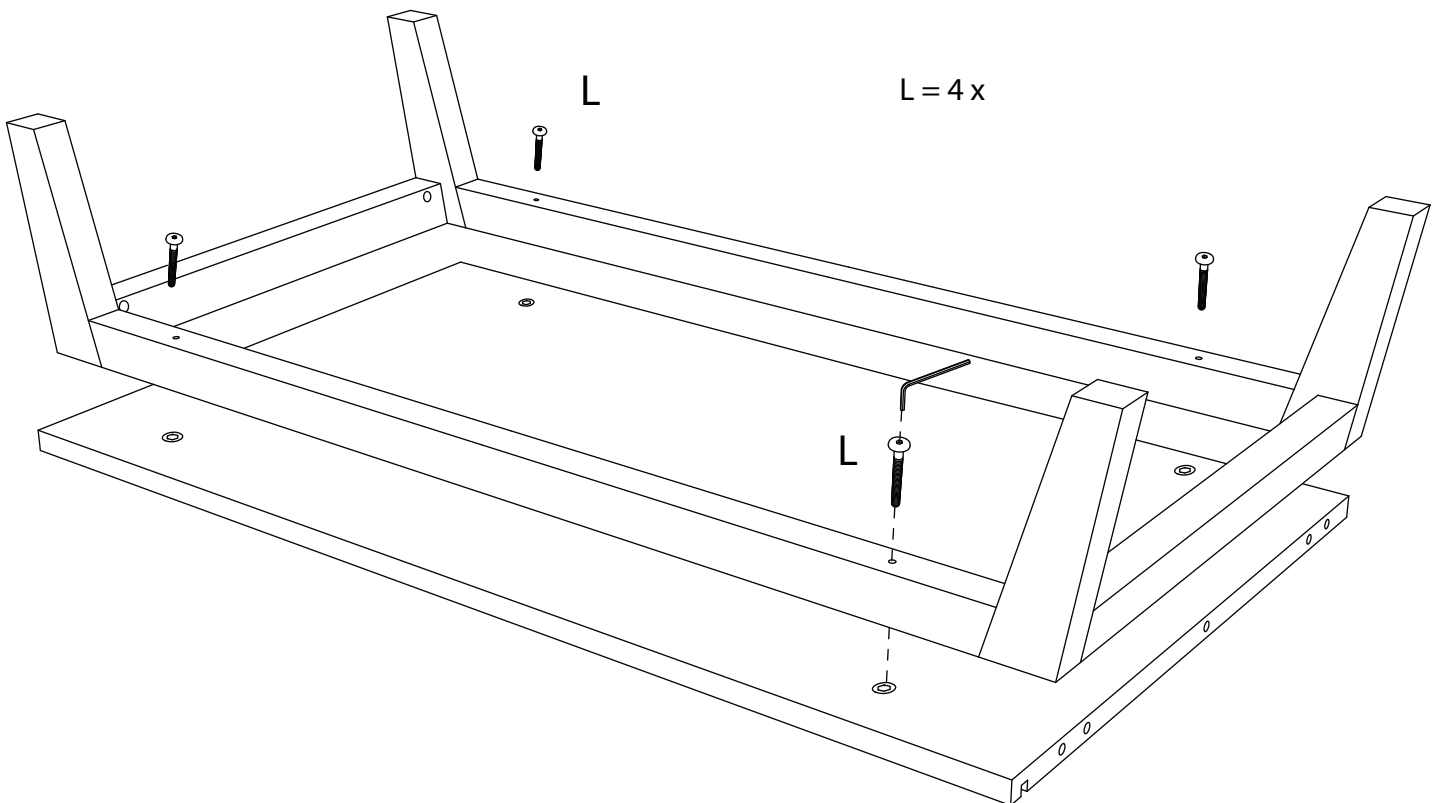
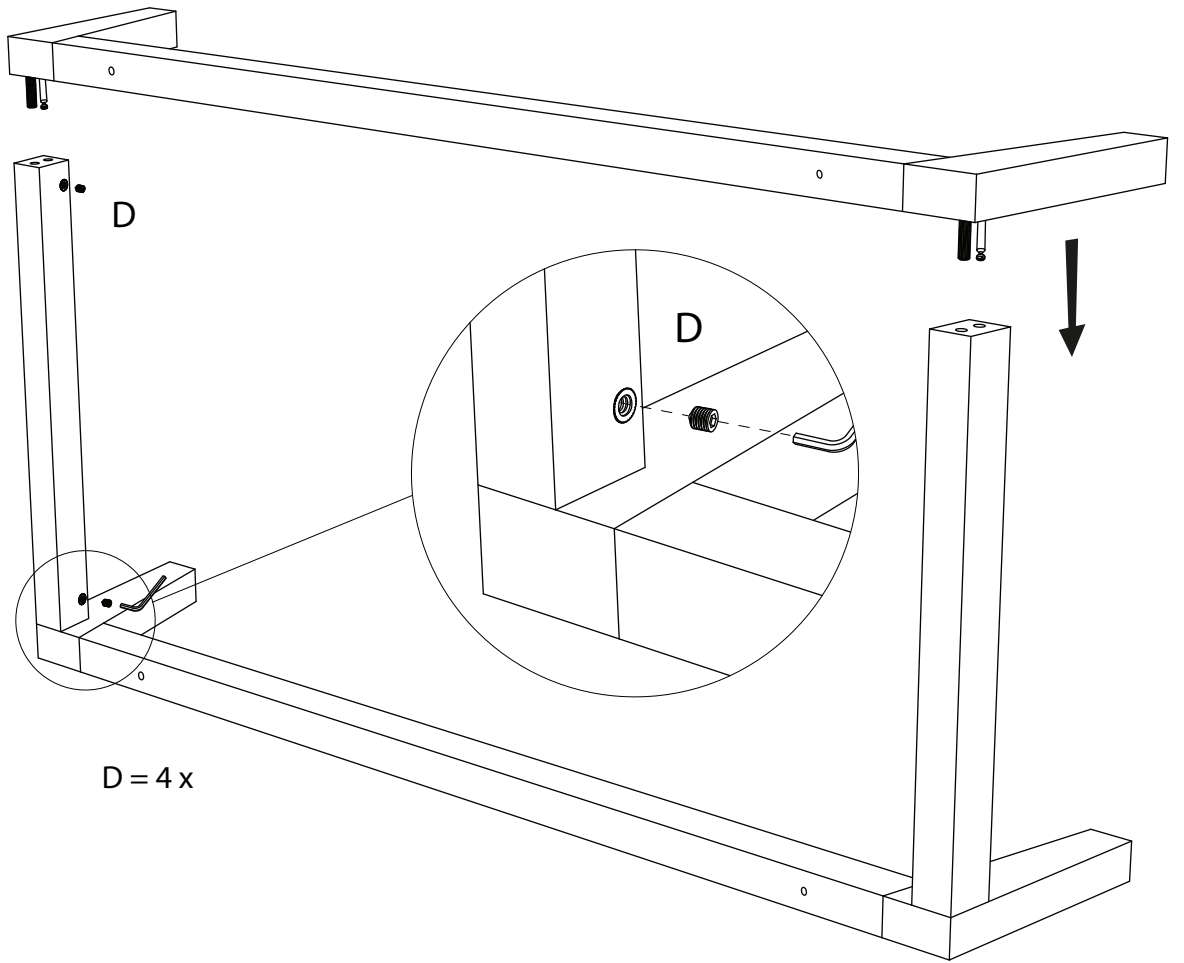
A = 4 x

B = 4 x

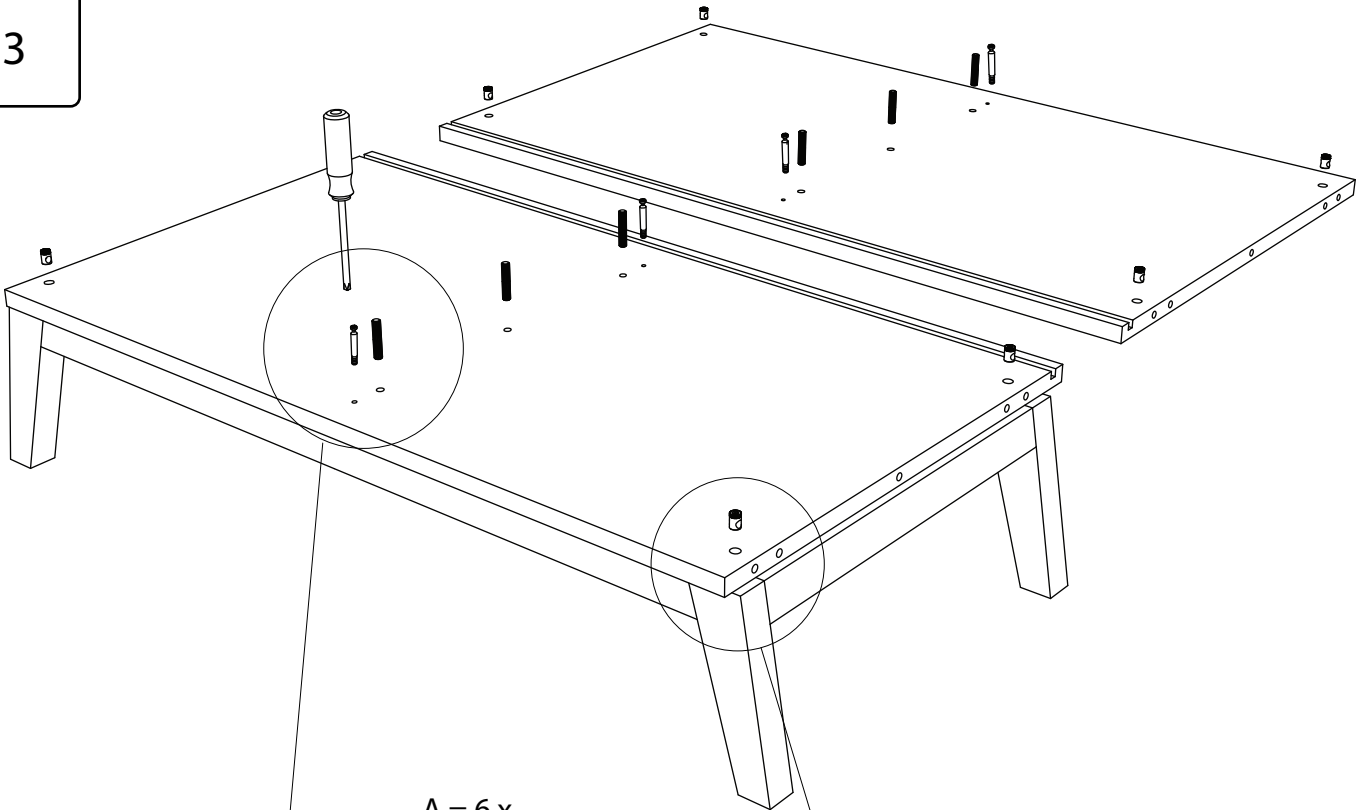


C = 4 x

2

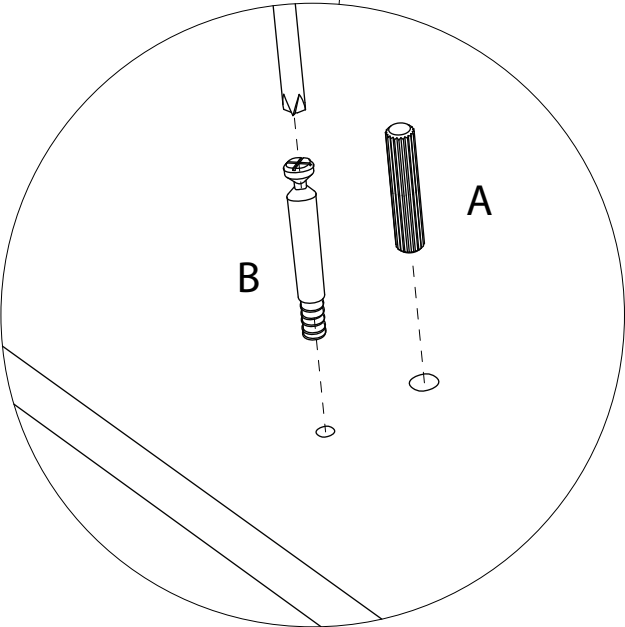


3

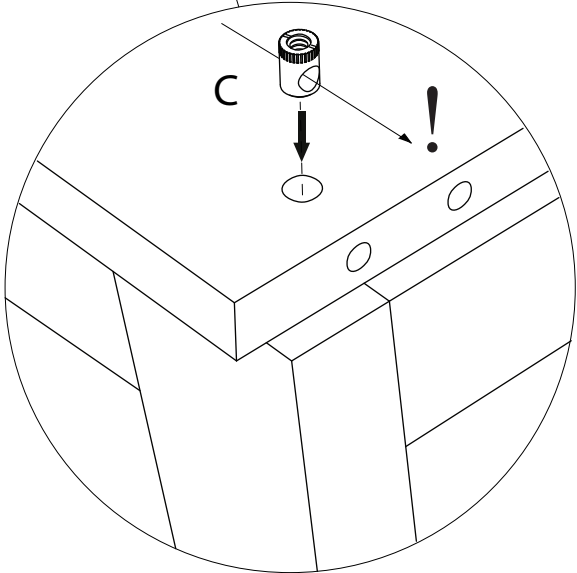


A = 6 x

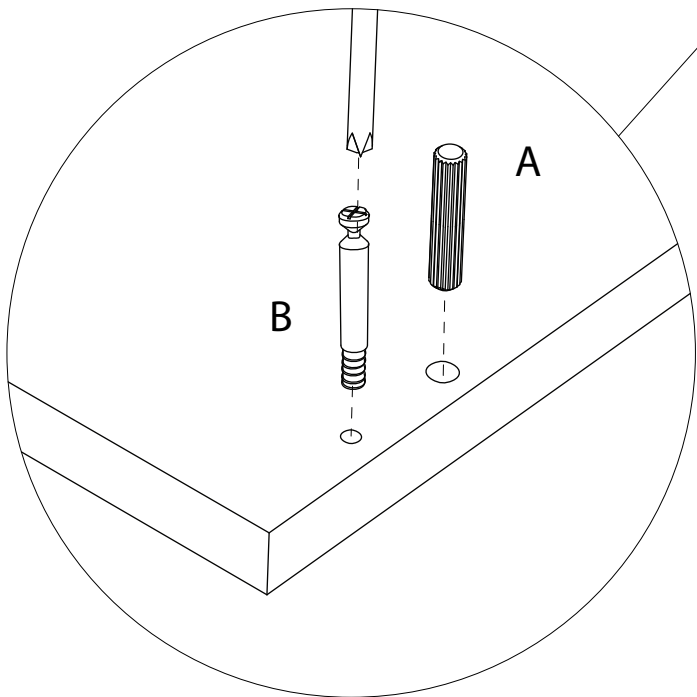
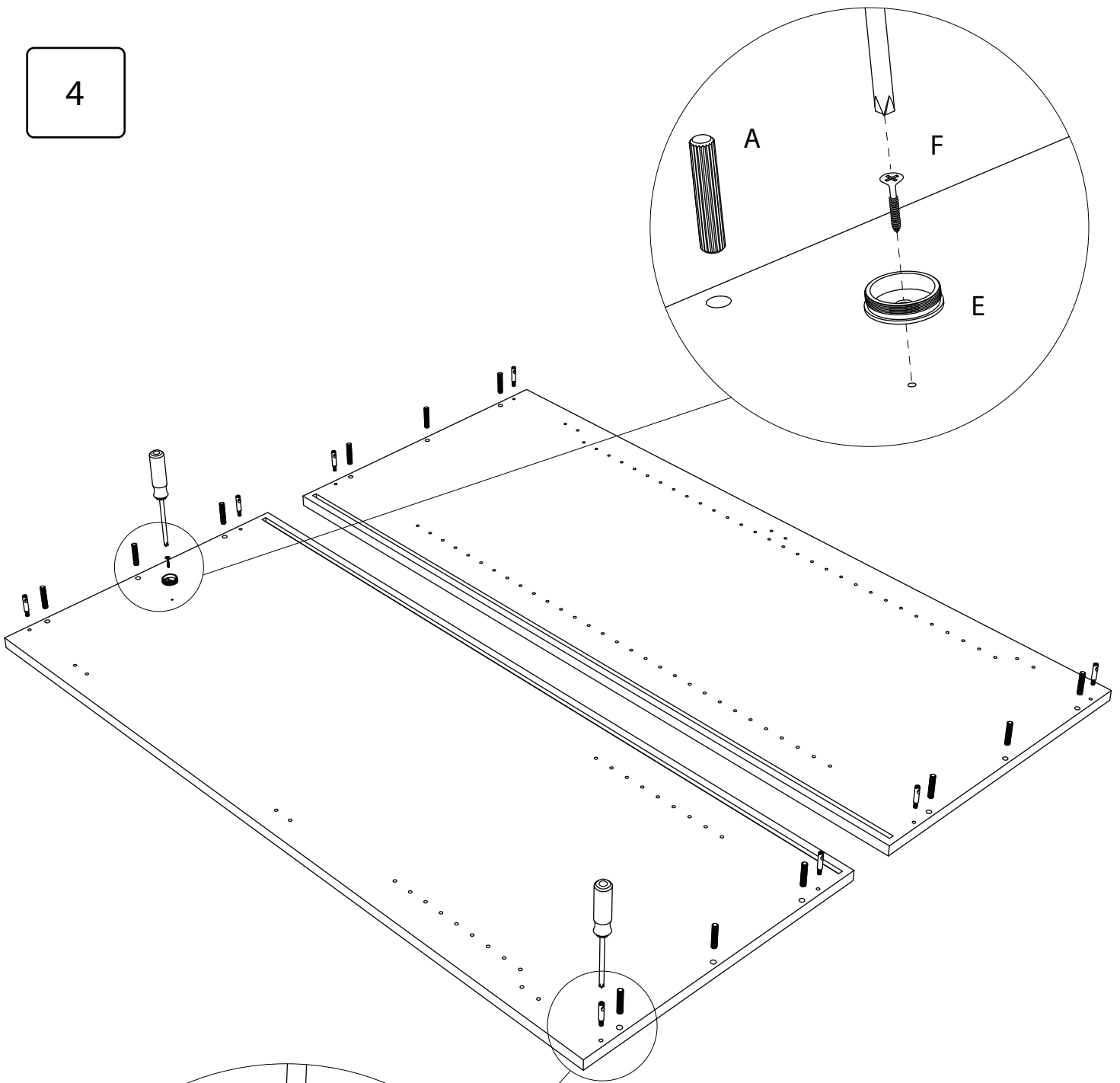
B = 4 x



C = 8 x



4



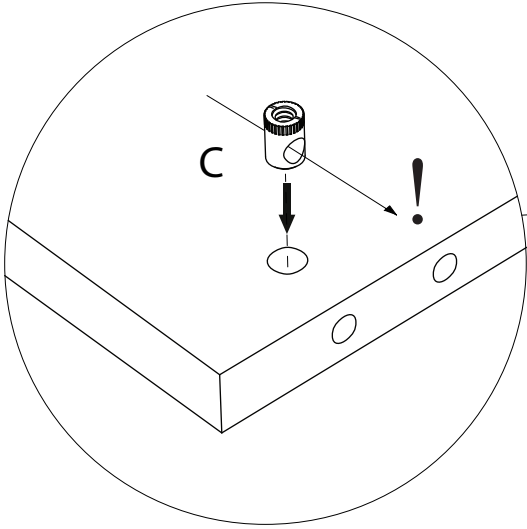
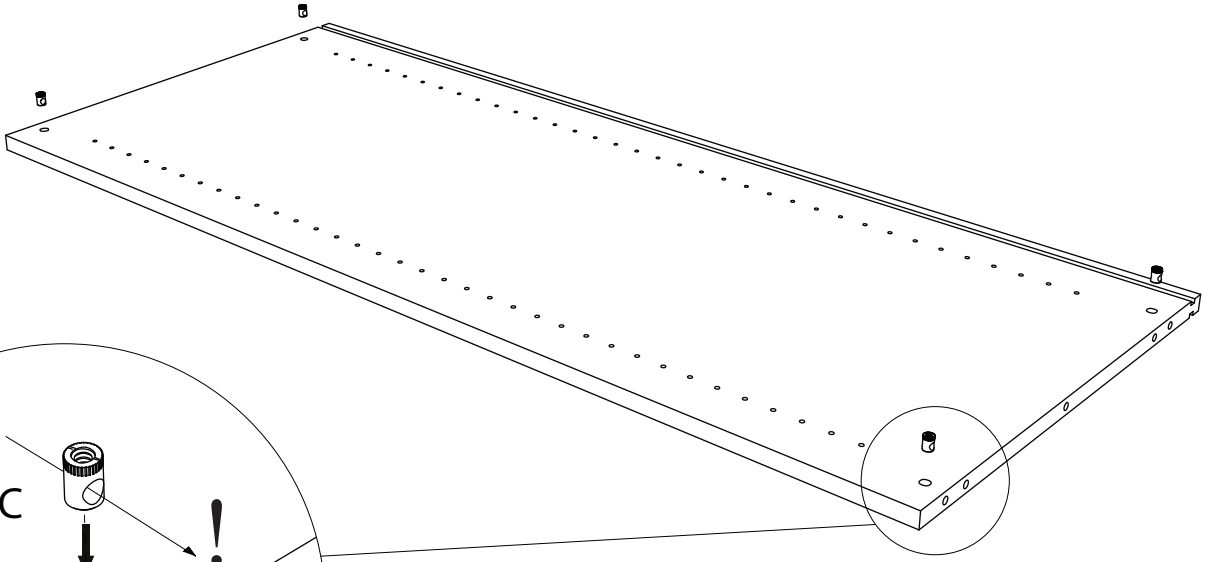
A = 12 x

B = 8 x

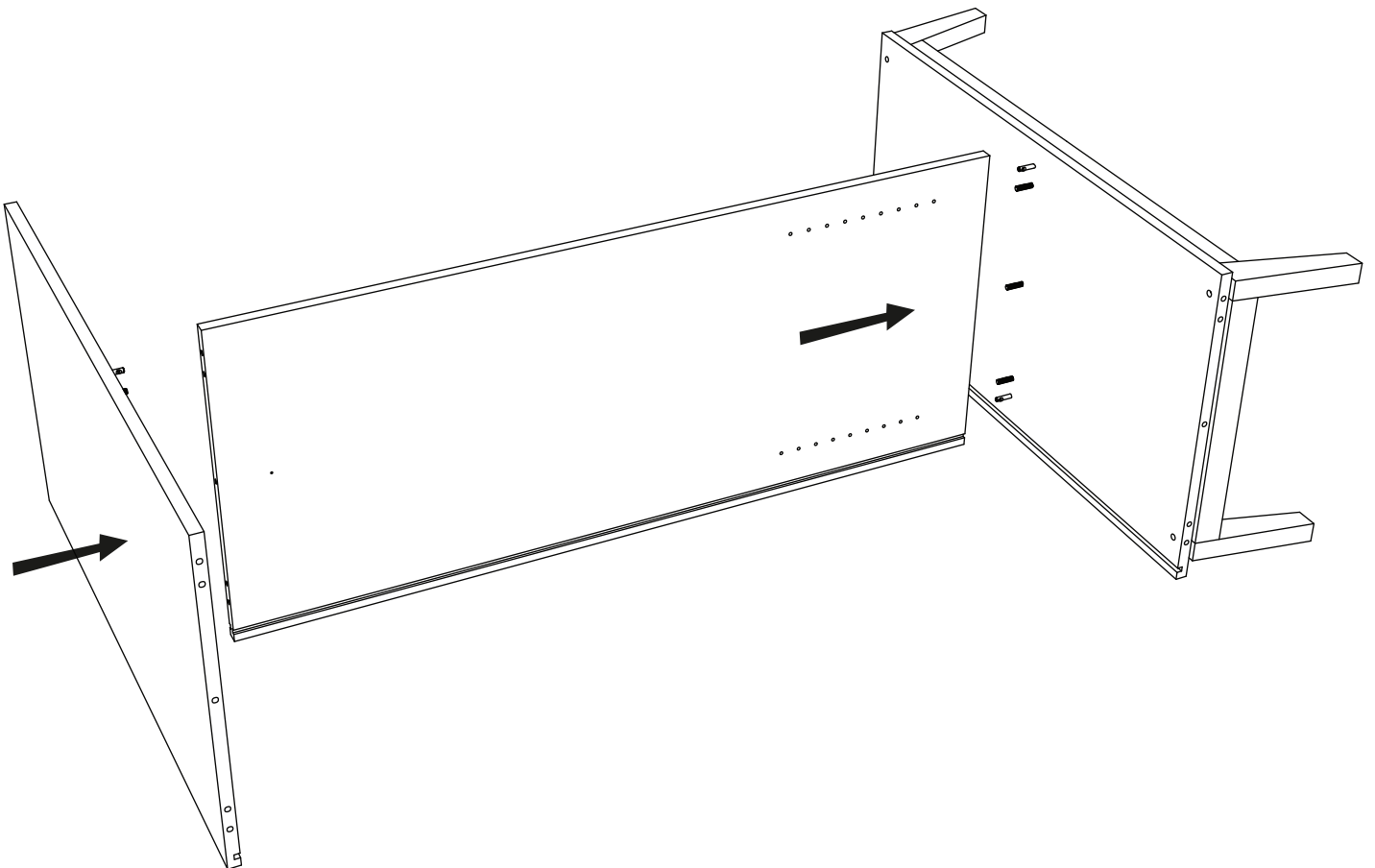
E = 1 x

F = 1 x

5

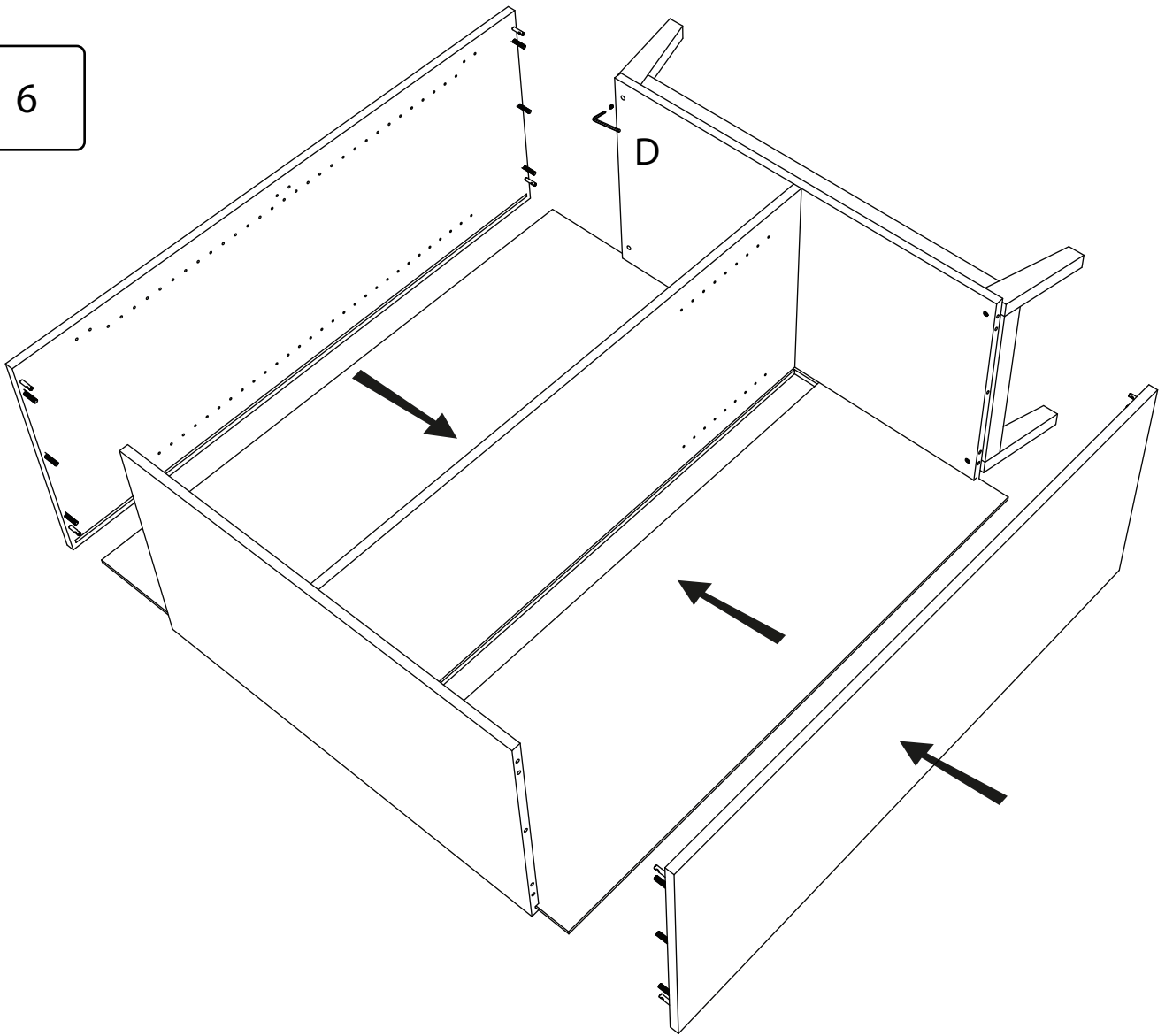


C = 4 x

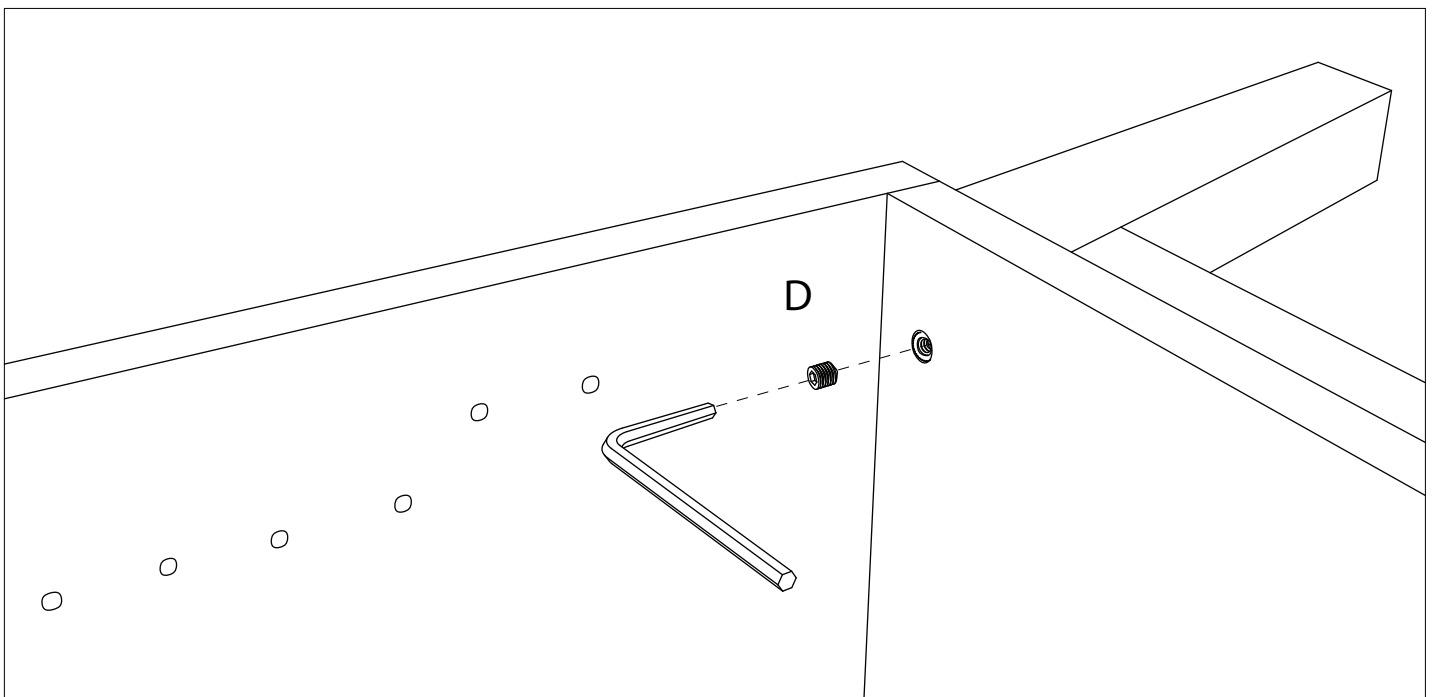




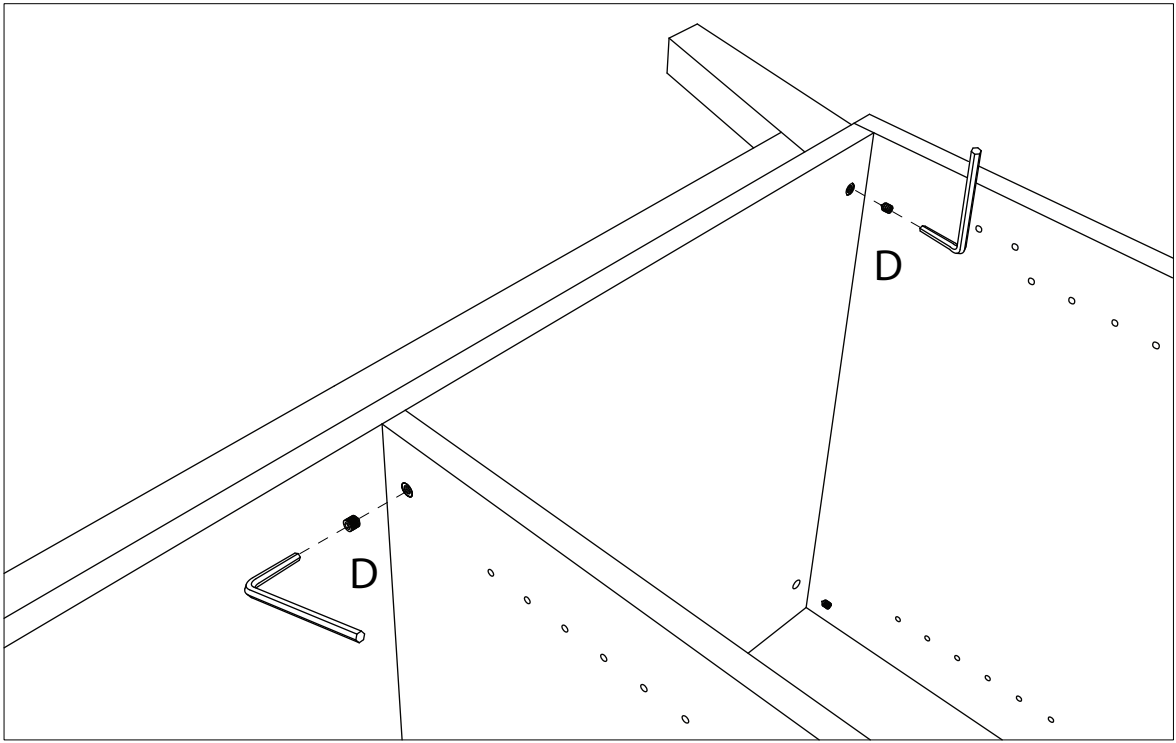
6



D = 6 x

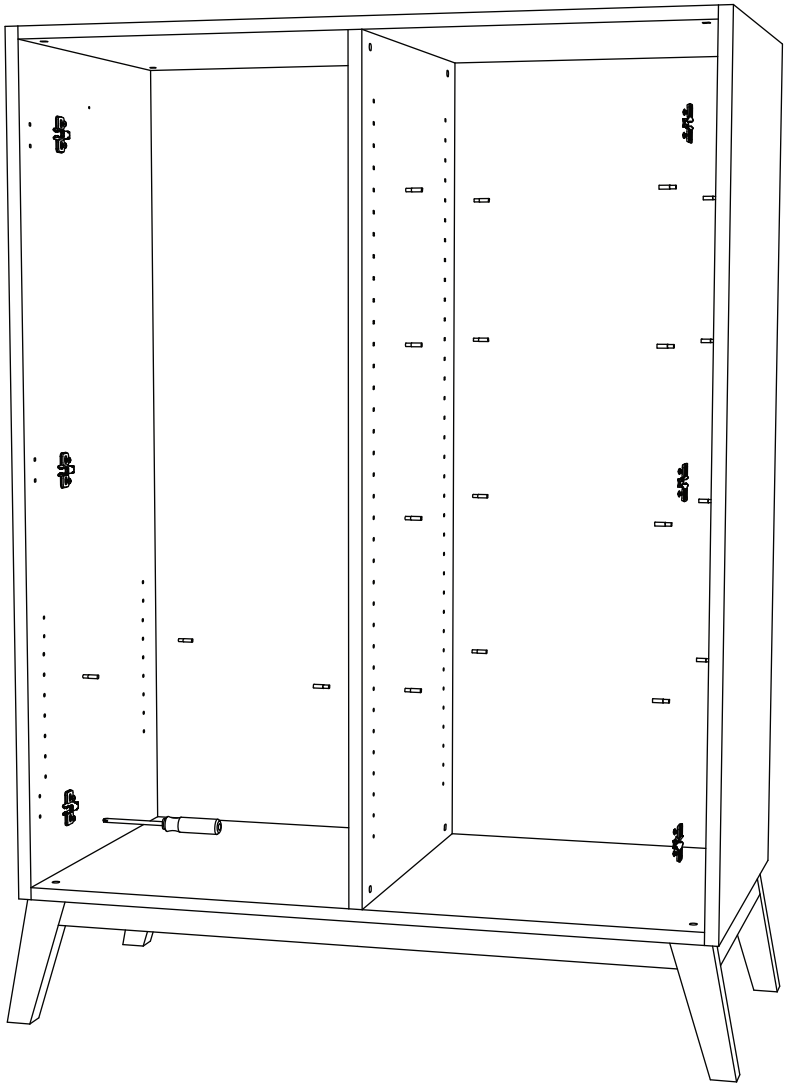


7



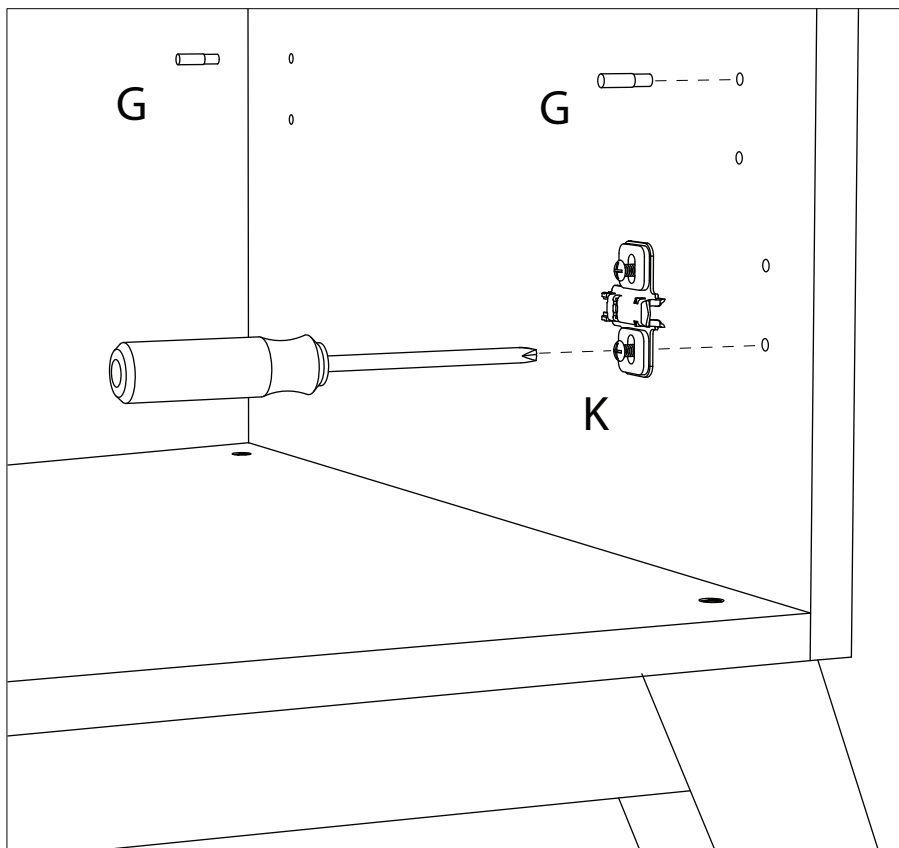
D = 6 x



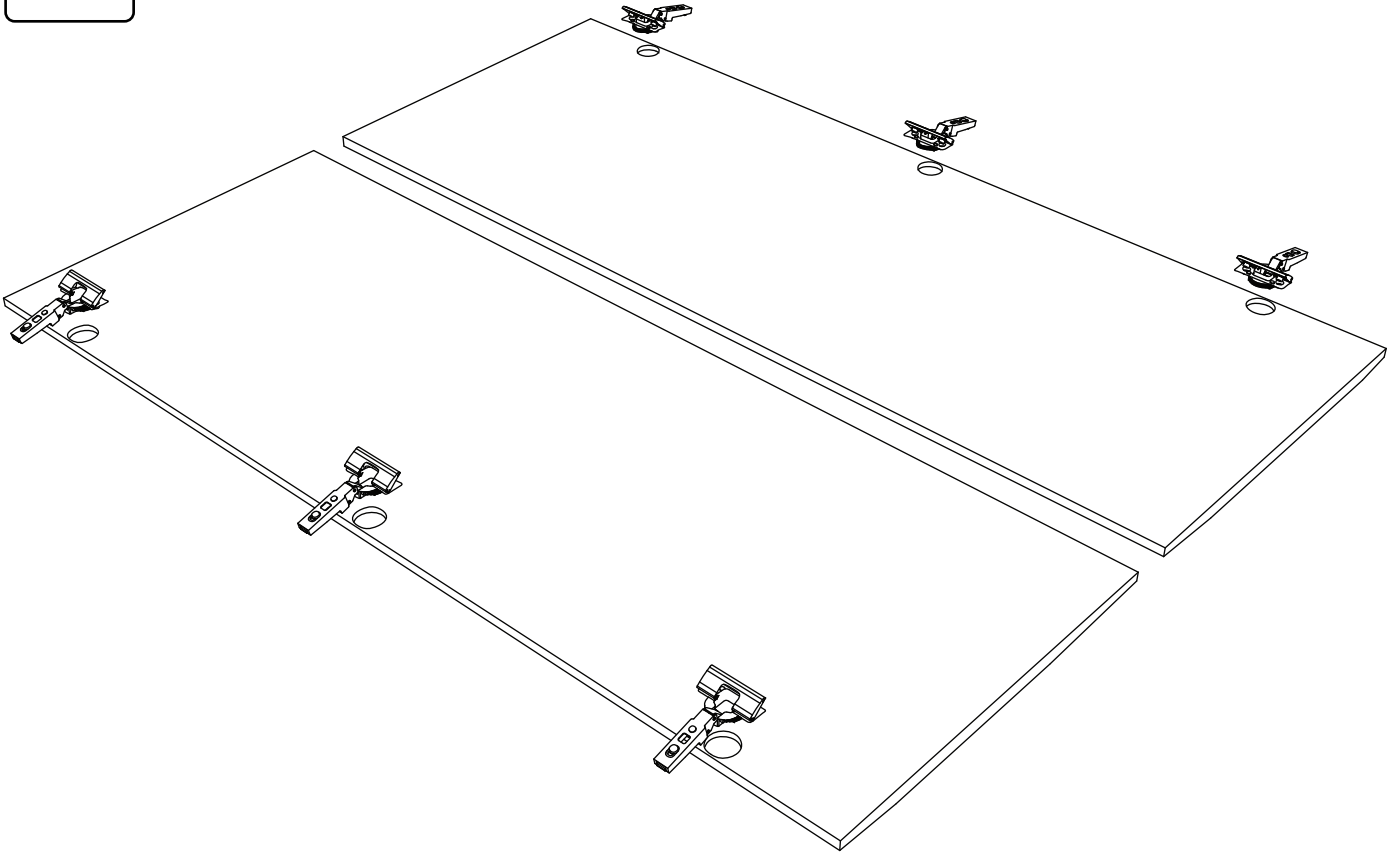


G = 20 x

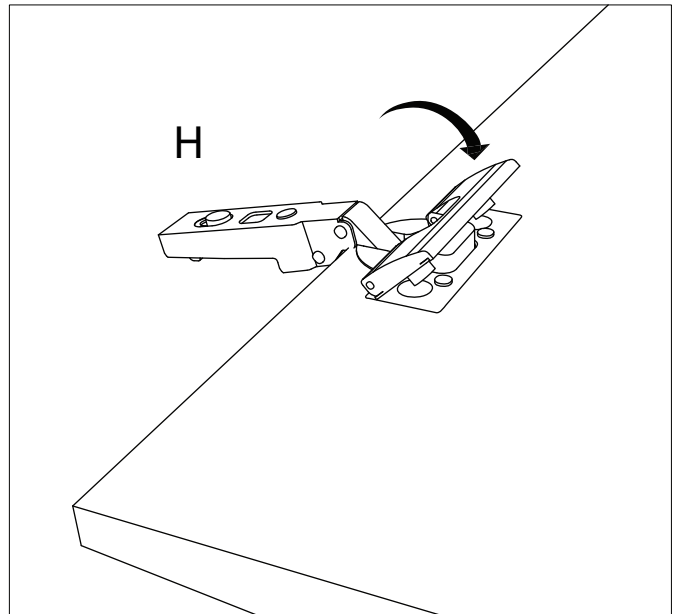
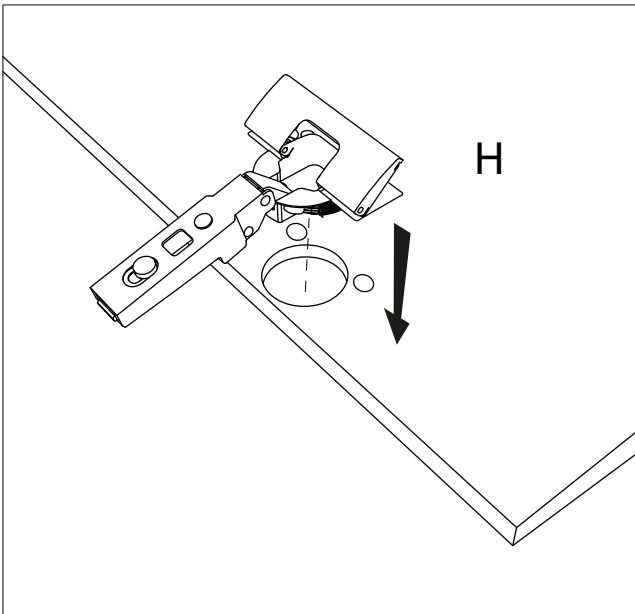
K = 6 x



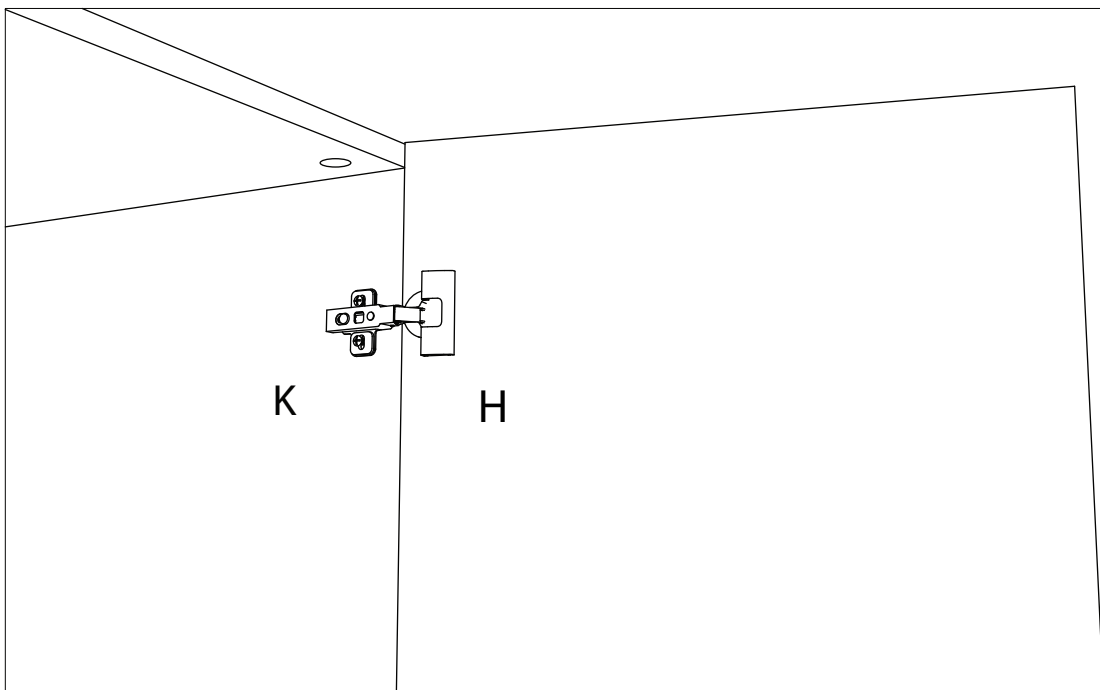
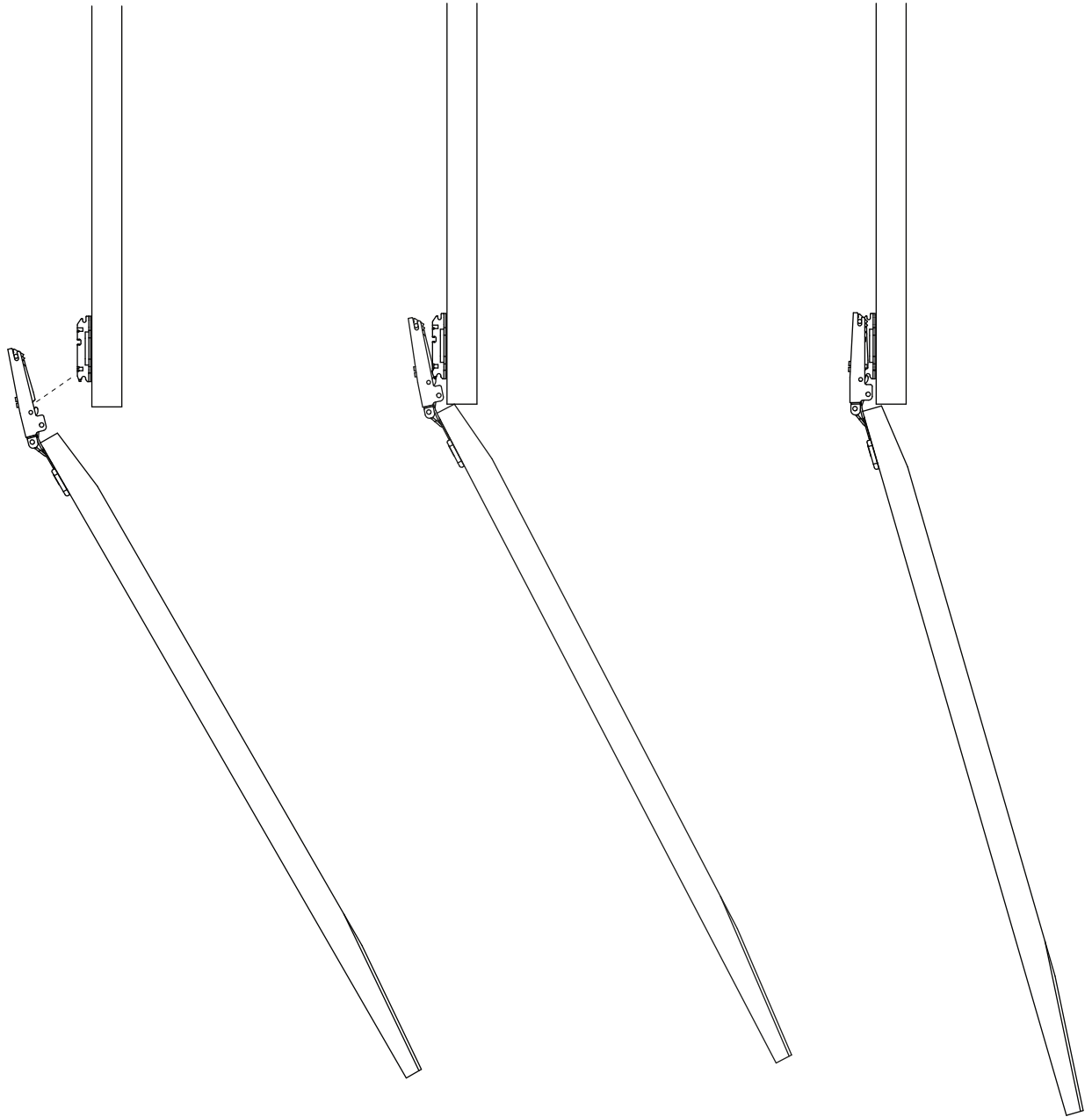
9

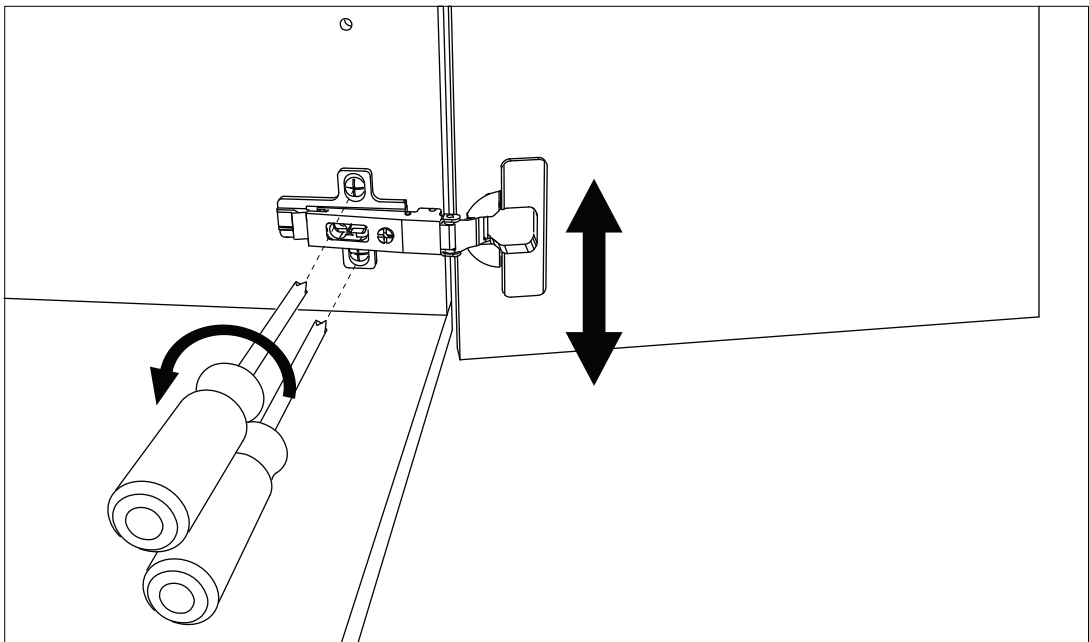
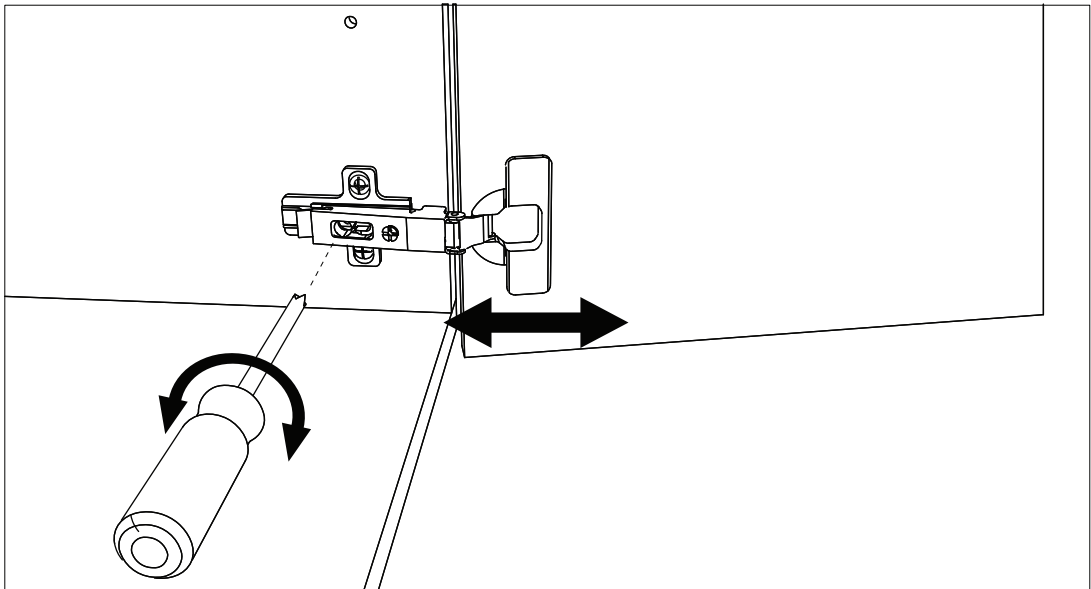
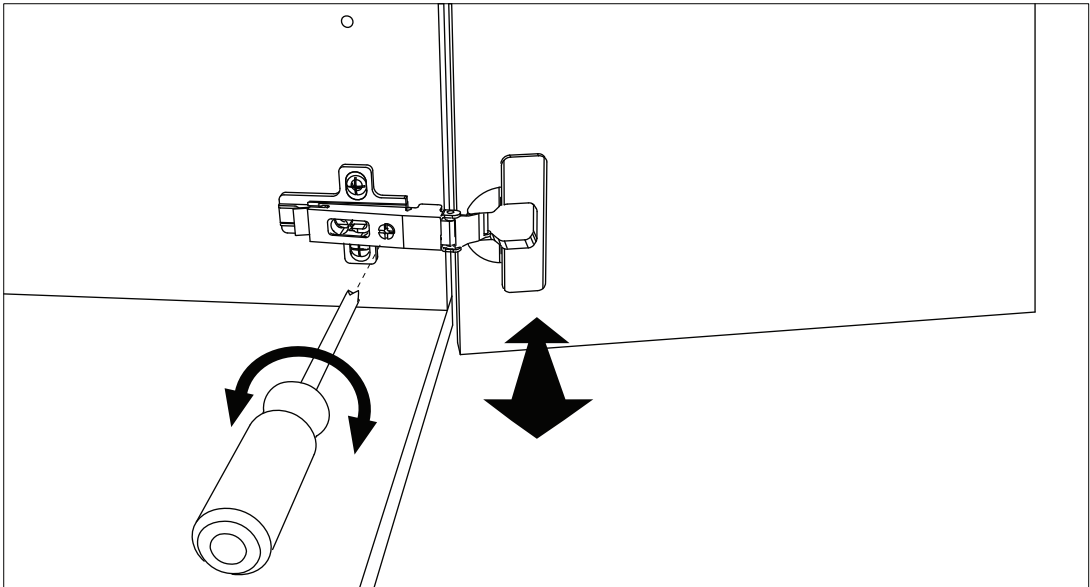


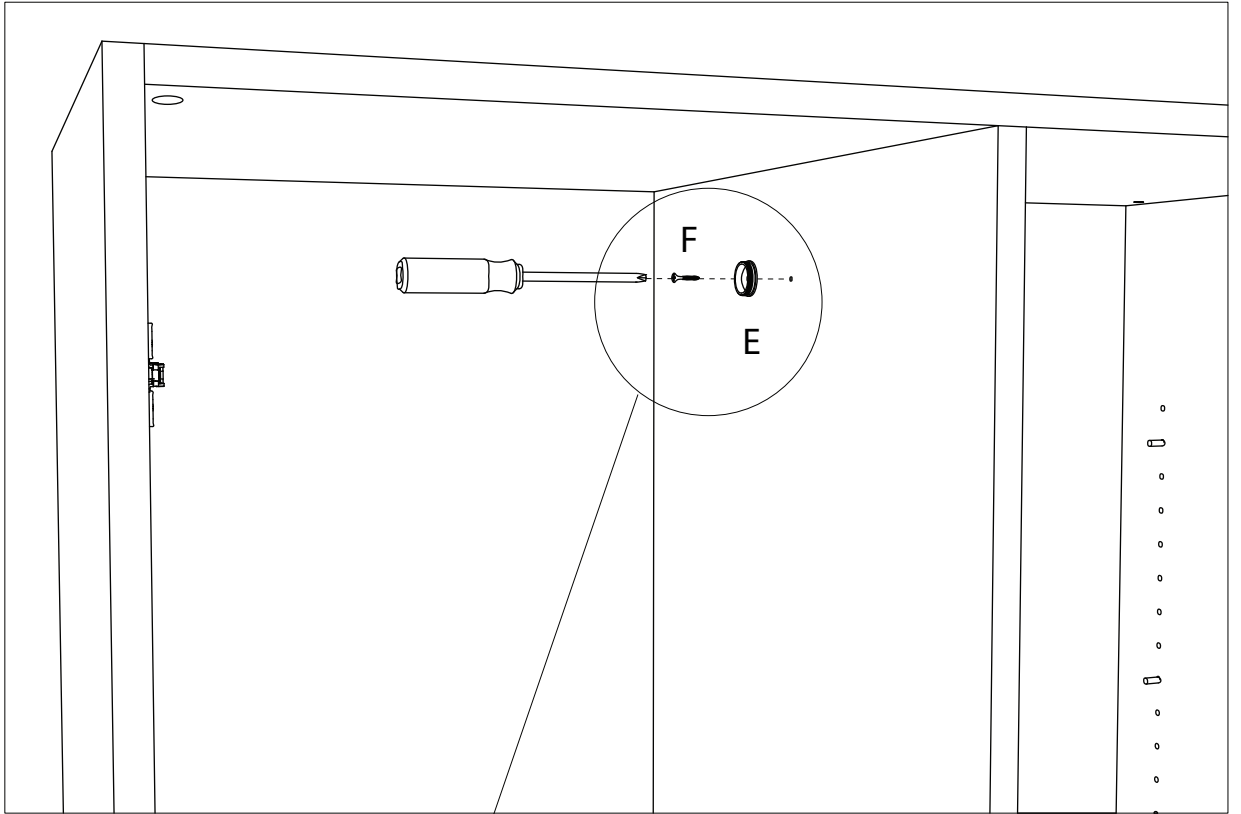
H = 6x



10







E = 1 x

F = 1 x

