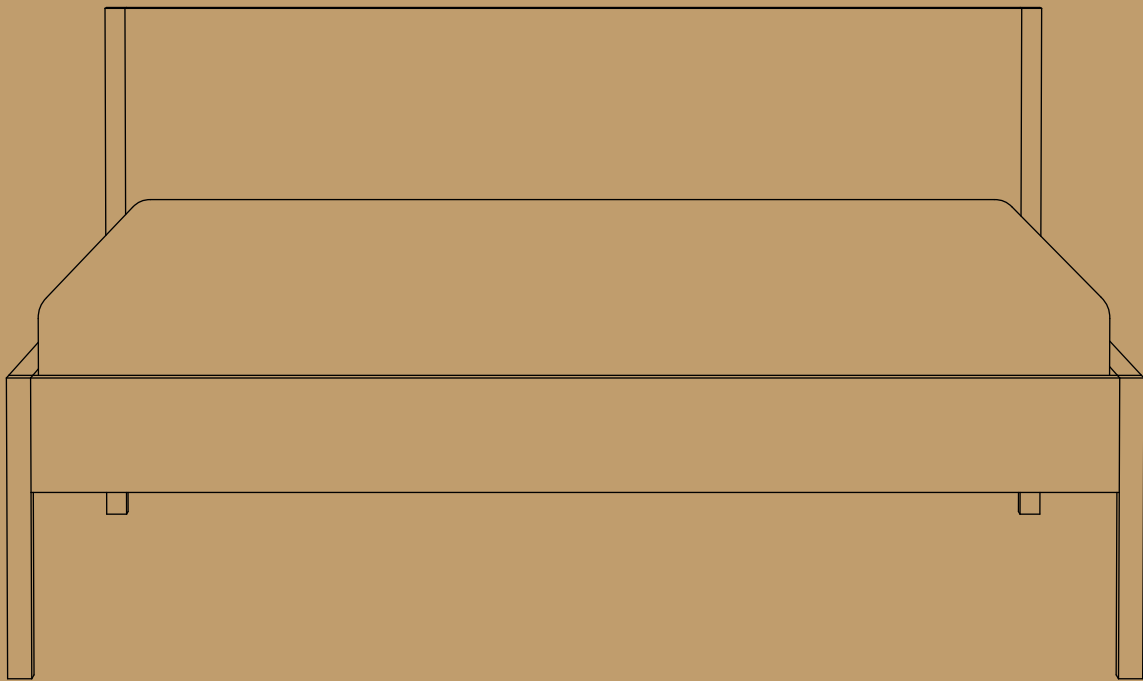


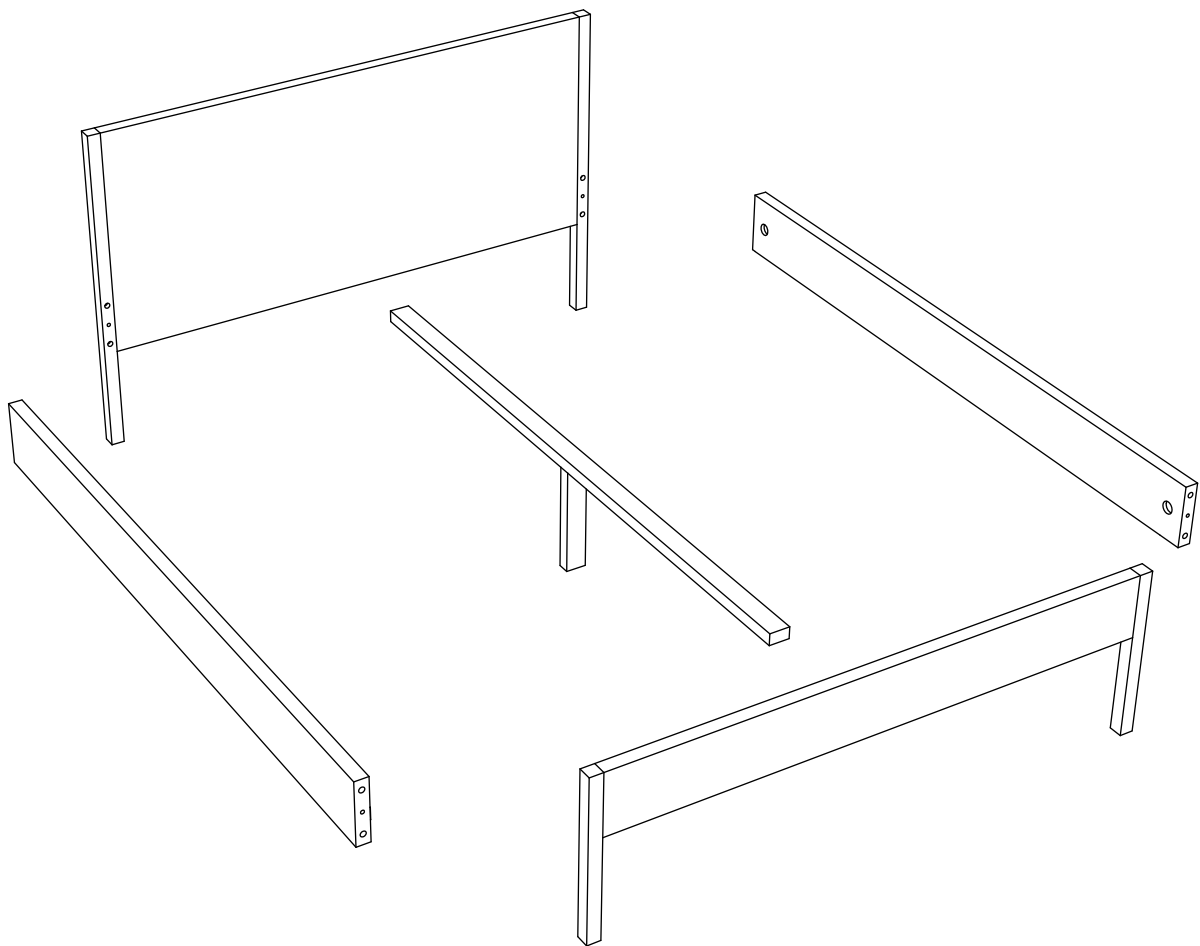
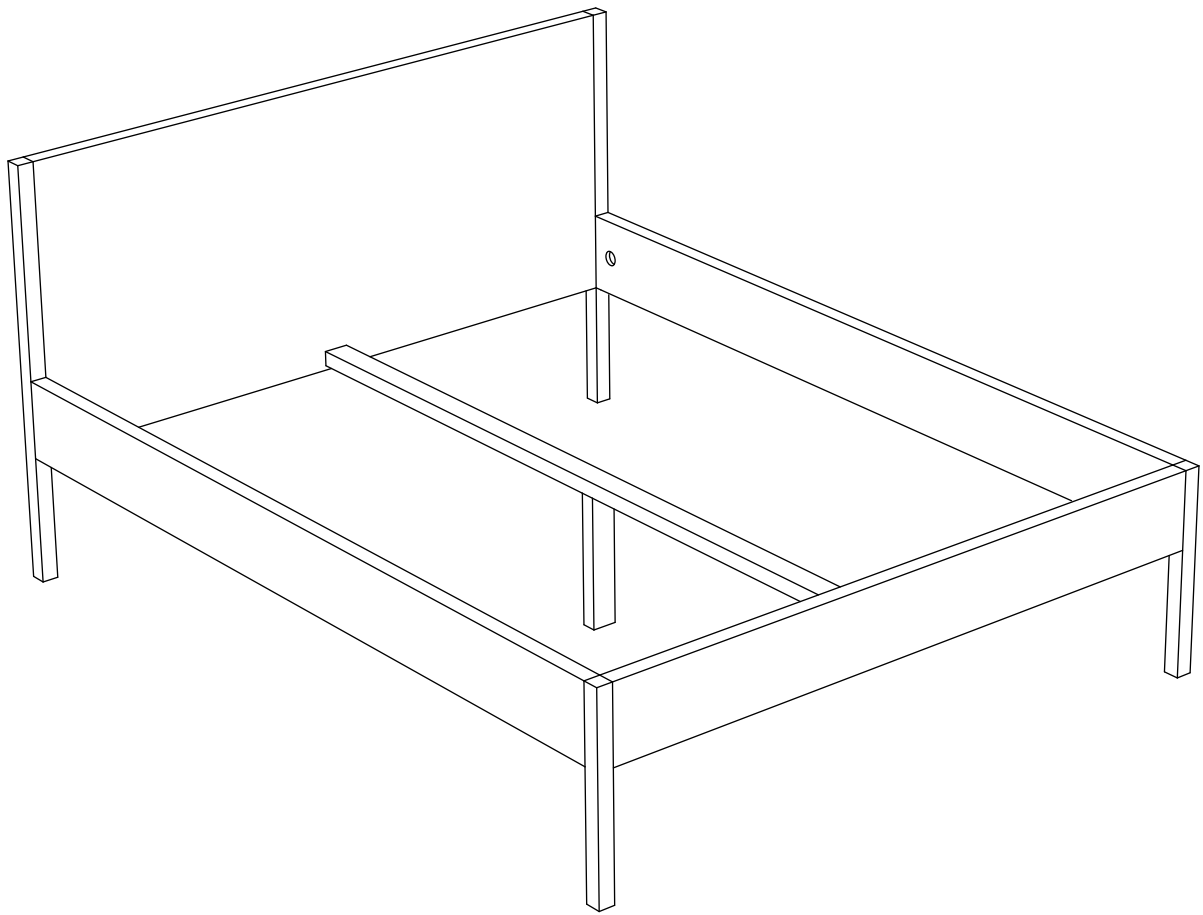
# ellenberger

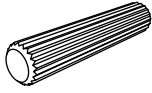
EICHENBETT ALEX | ALEX OAK BED



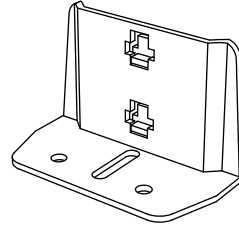
designed by Jannis Ellenberger

[www.ellenbergerdesign.de](http://www.ellenbergerdesign.de)

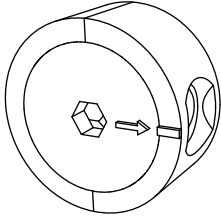




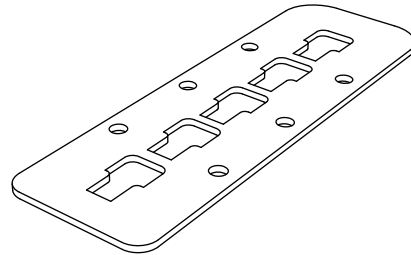
A = 8 x



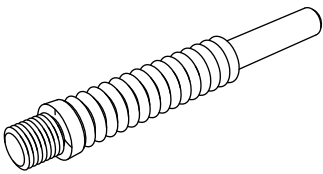
F = 6 x



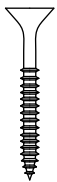
B = 4 x



G = 6 x

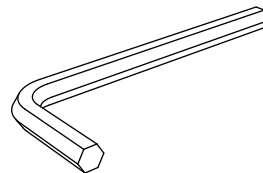


C = 4 x

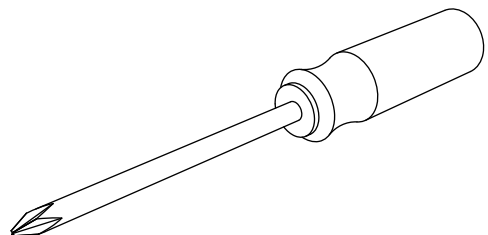


D = 2 x

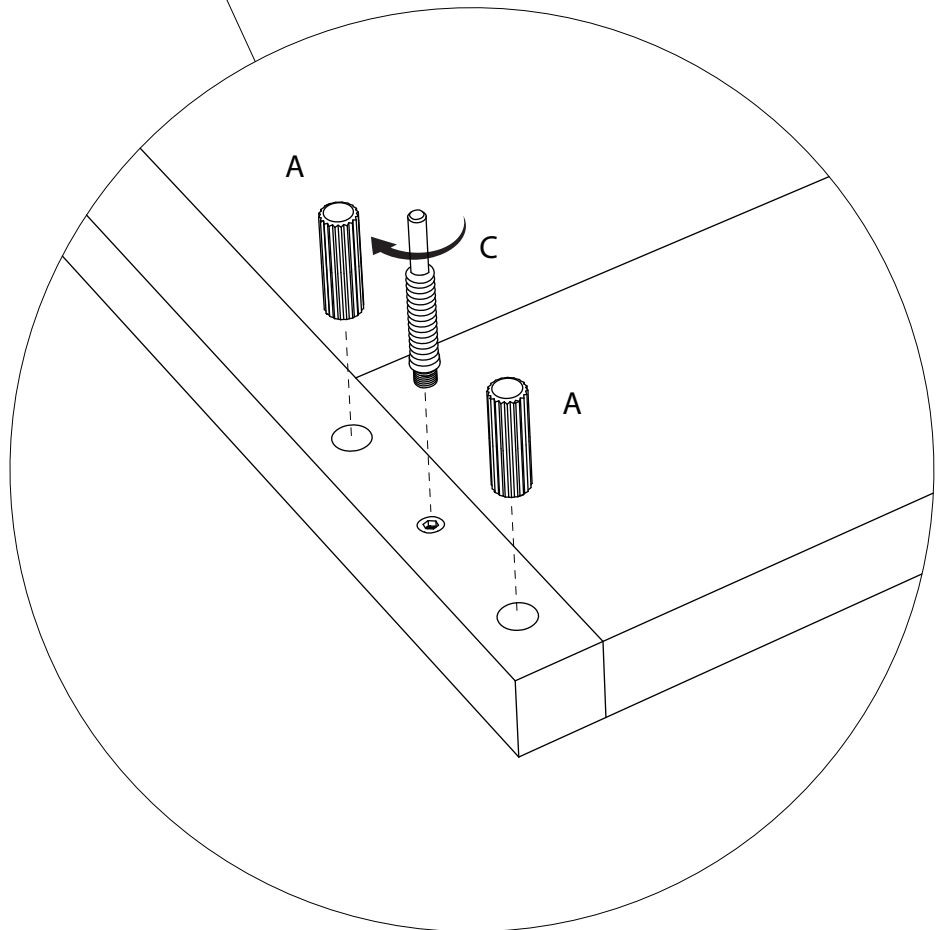
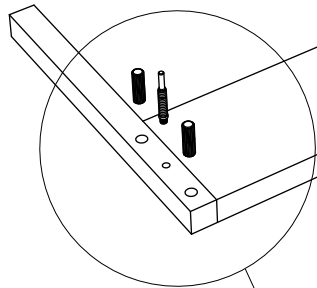
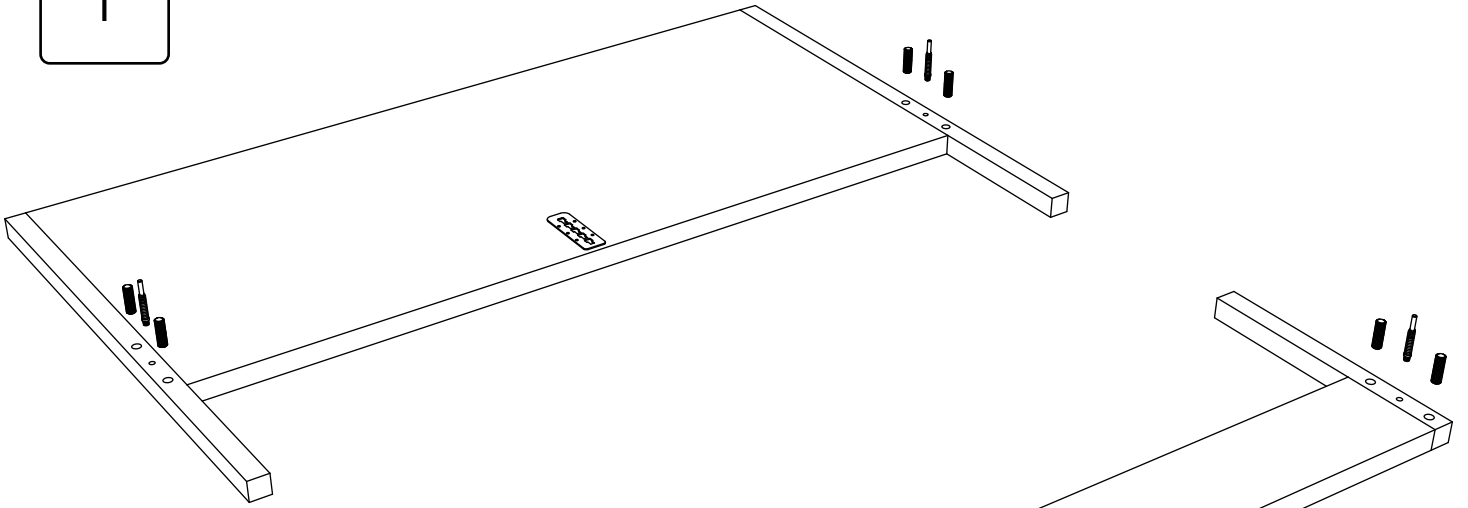
tools needed



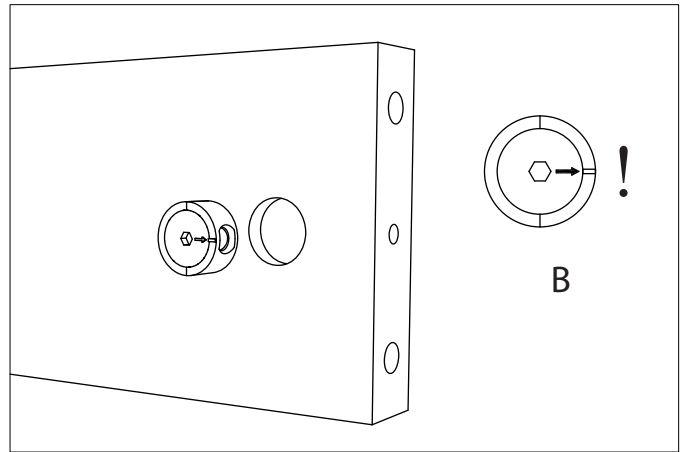
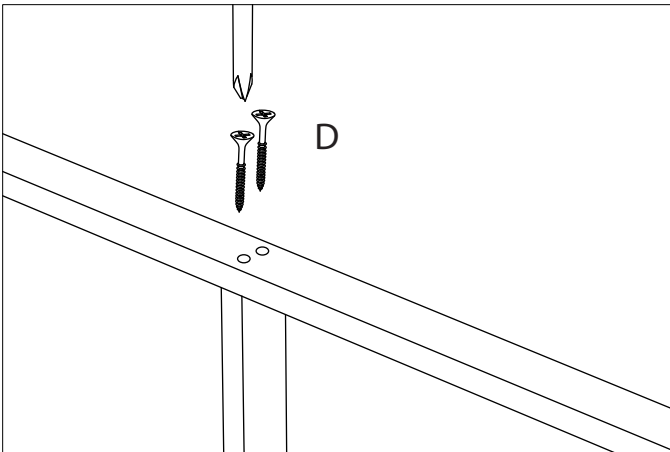
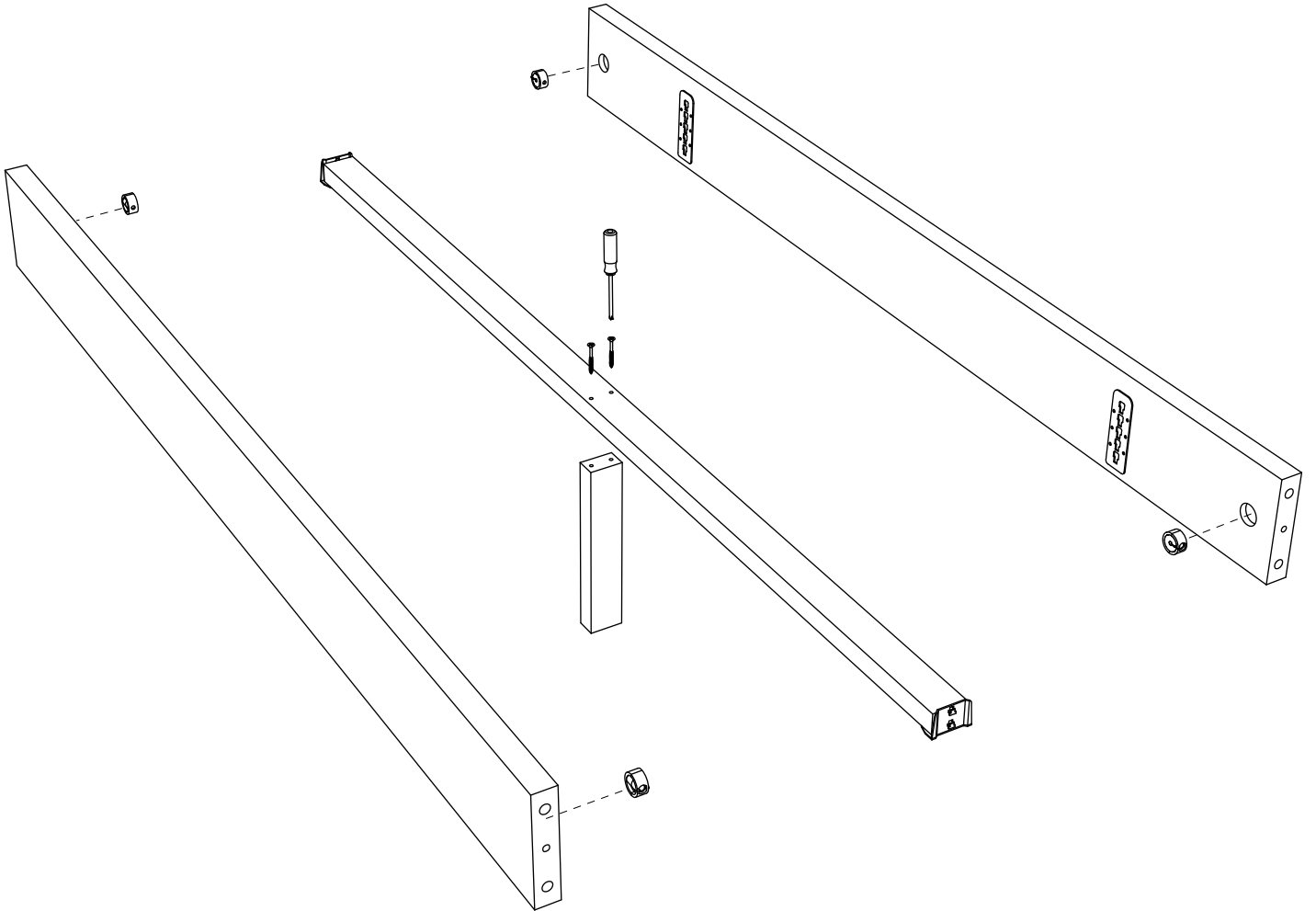
E = 24 x



1



2



3

