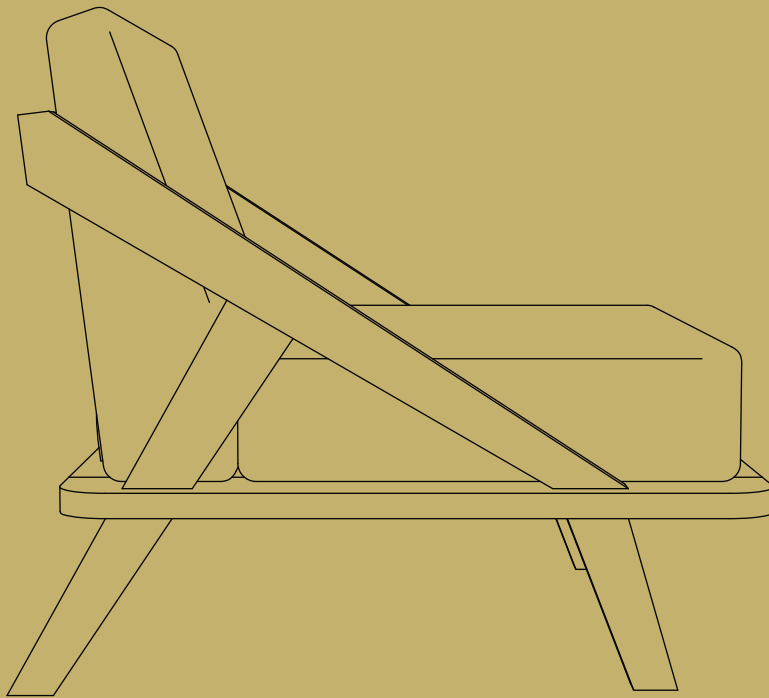


ellenberger

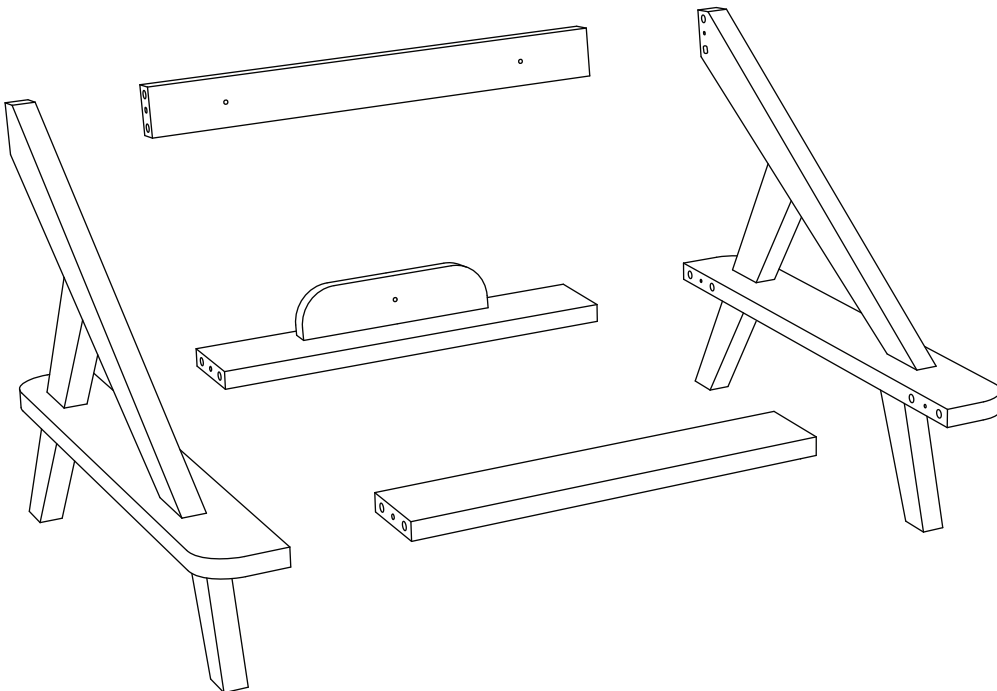
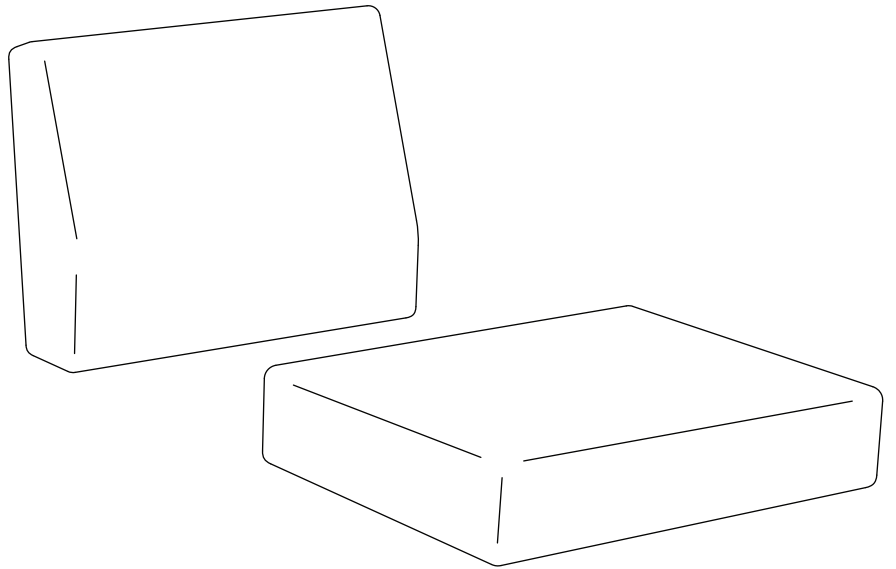
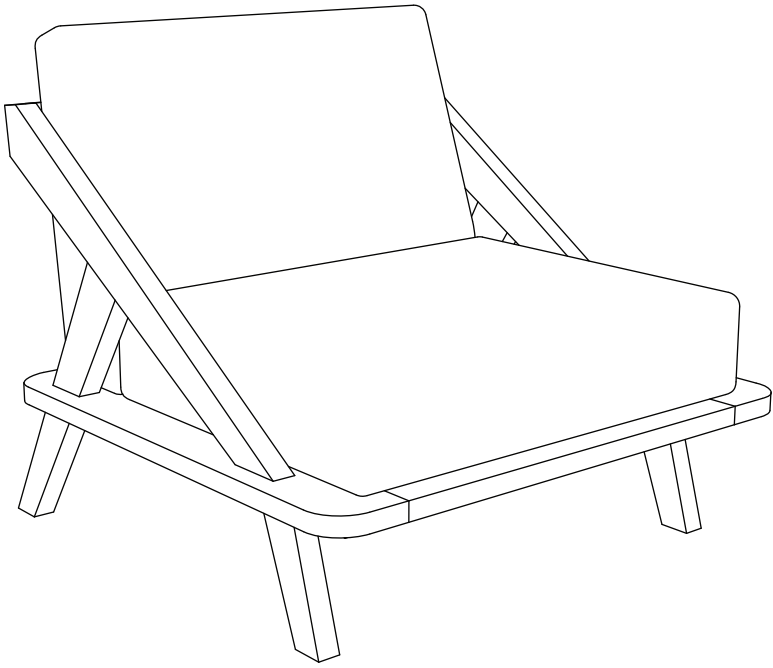
NORDIC SPACE FURNITURE COLLECTION

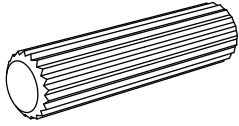
Sessel | Chair



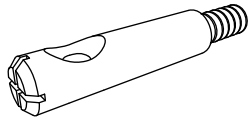
designed by Jannis Ellenberger

[www.ellenbergerdesign.de](http://www.ellenbergerdesign.de)

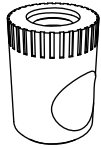




A = 12 x



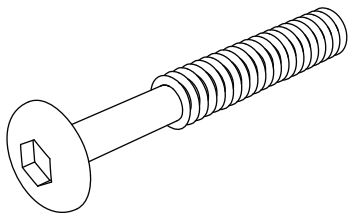
B = 6 x



C = 6 x

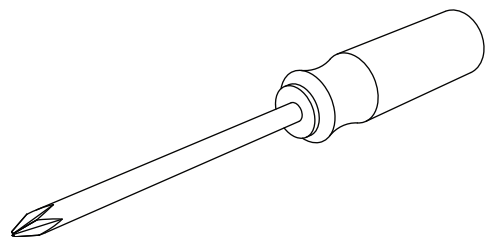
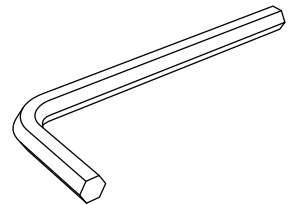


D = 6 x

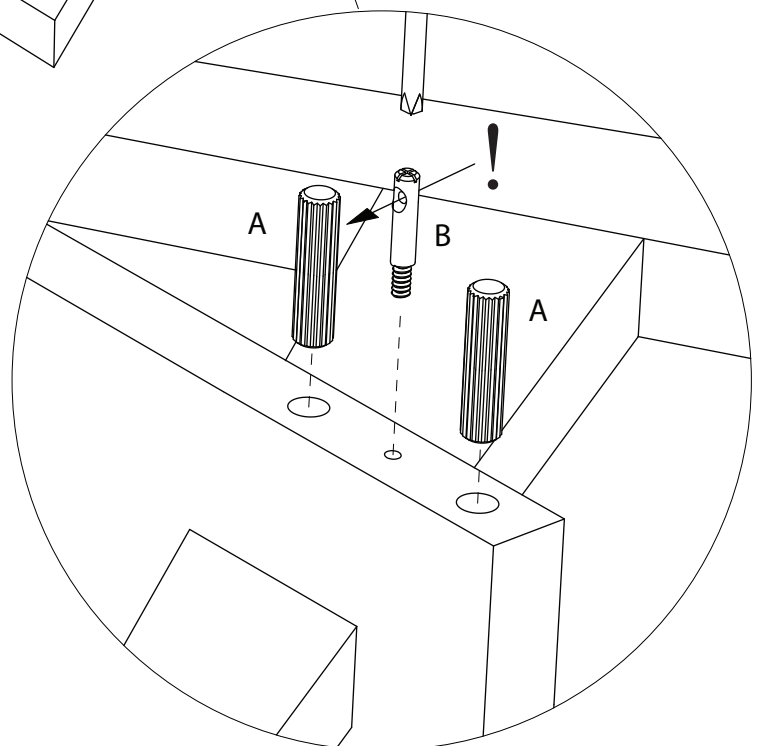
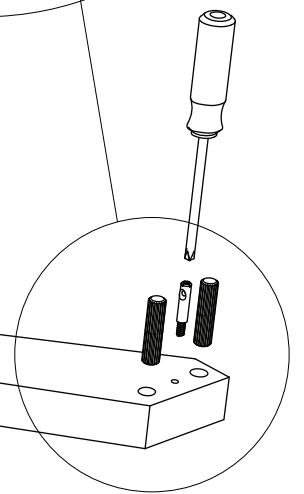
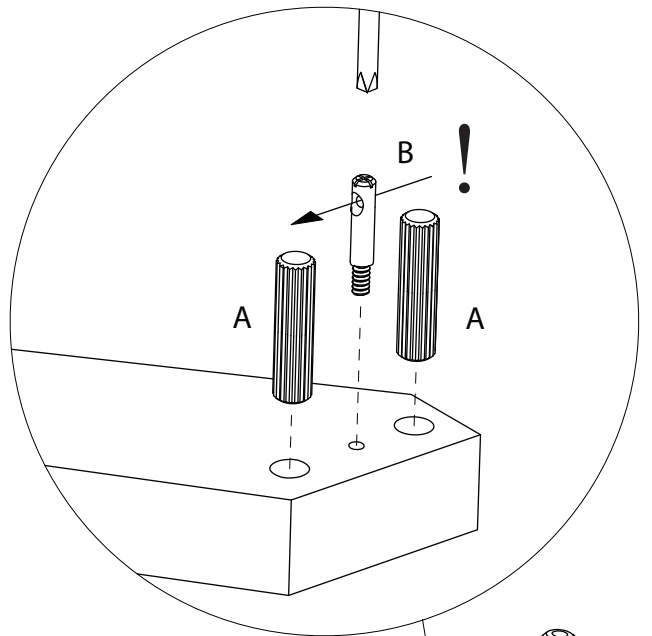
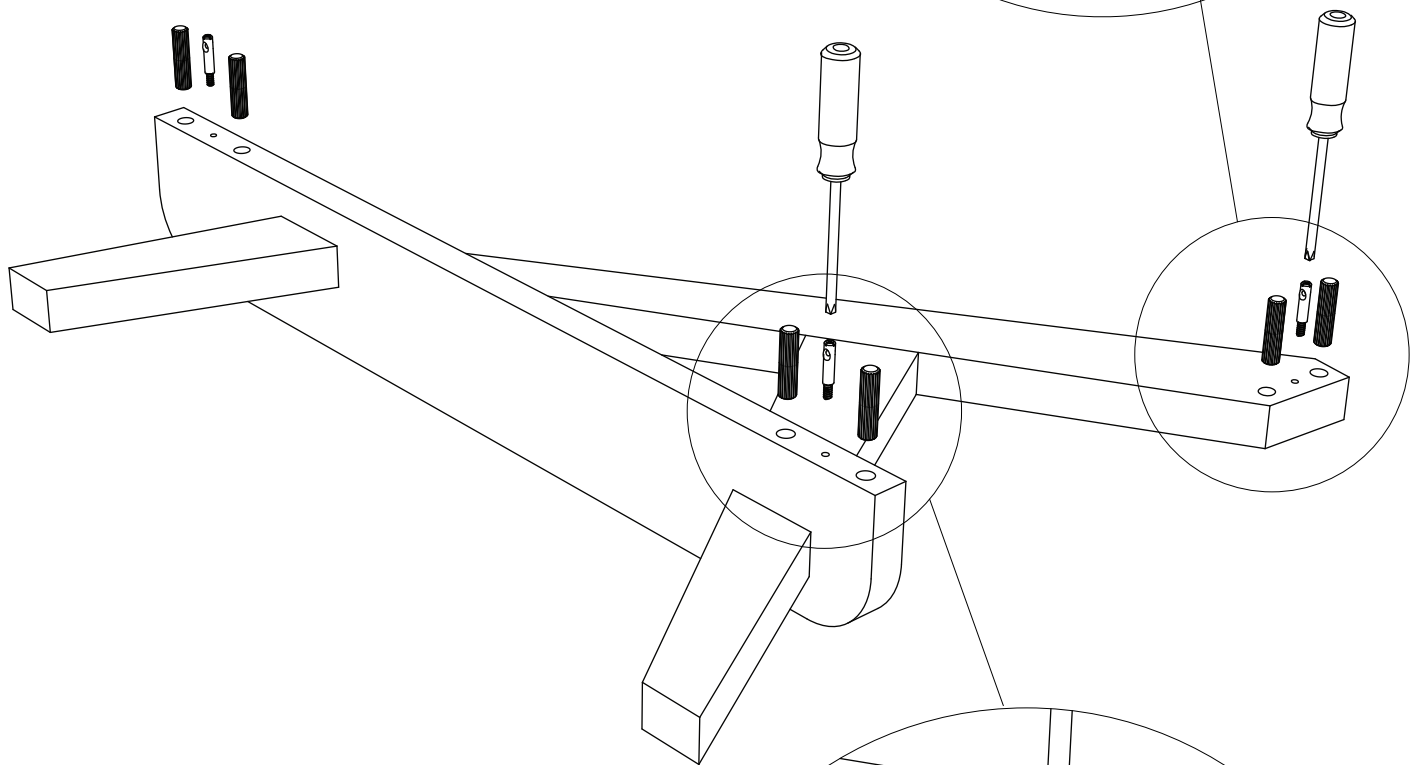


E = 3 x

tools needed



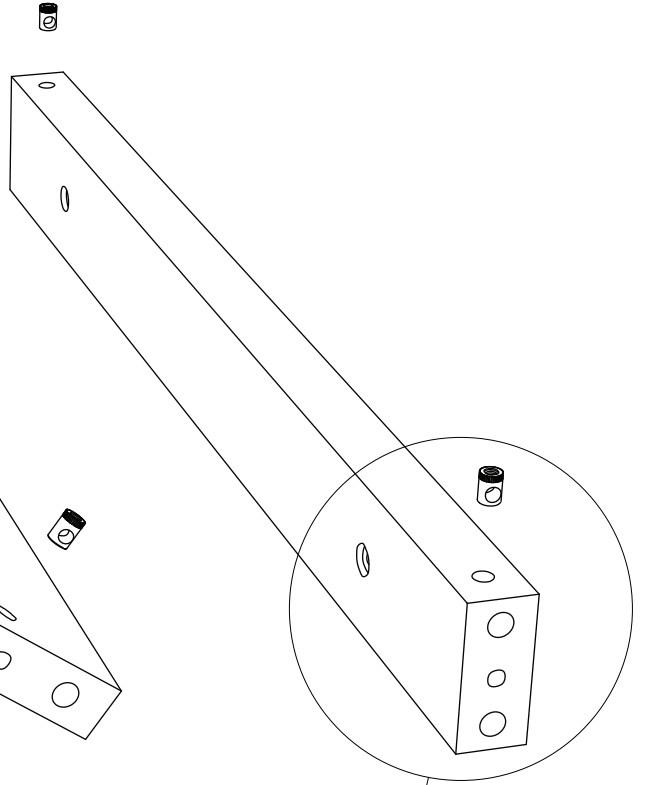
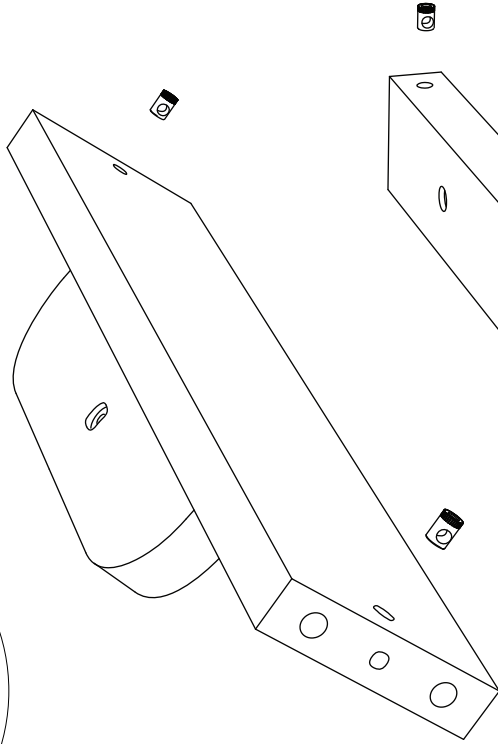
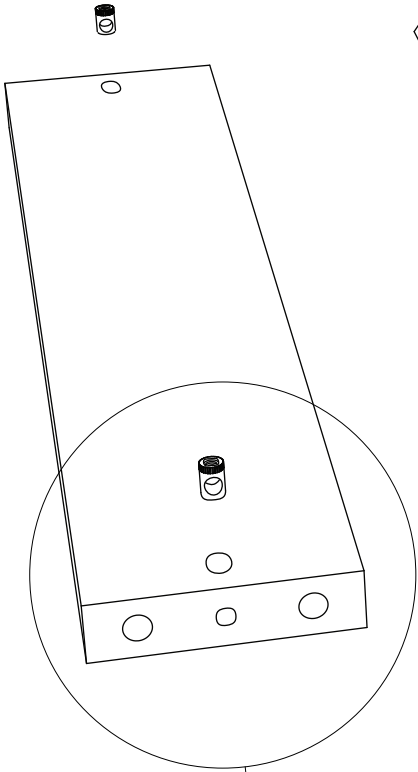
1



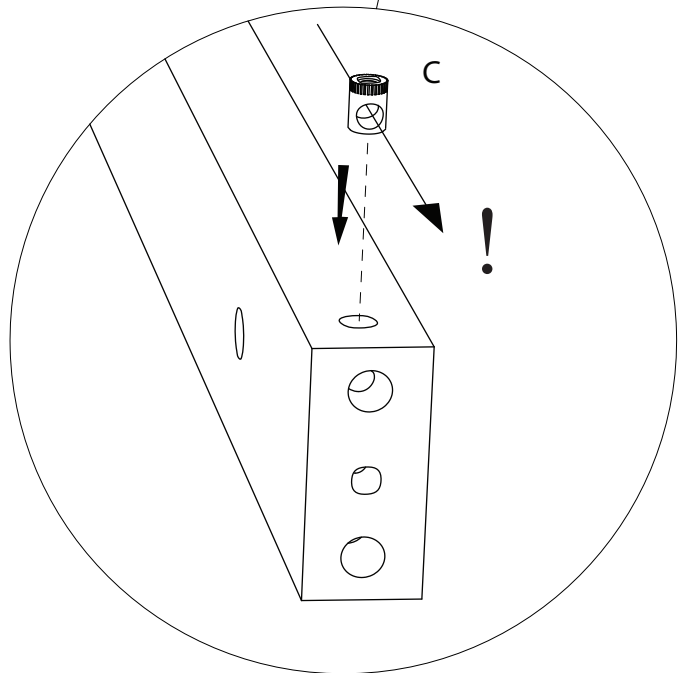
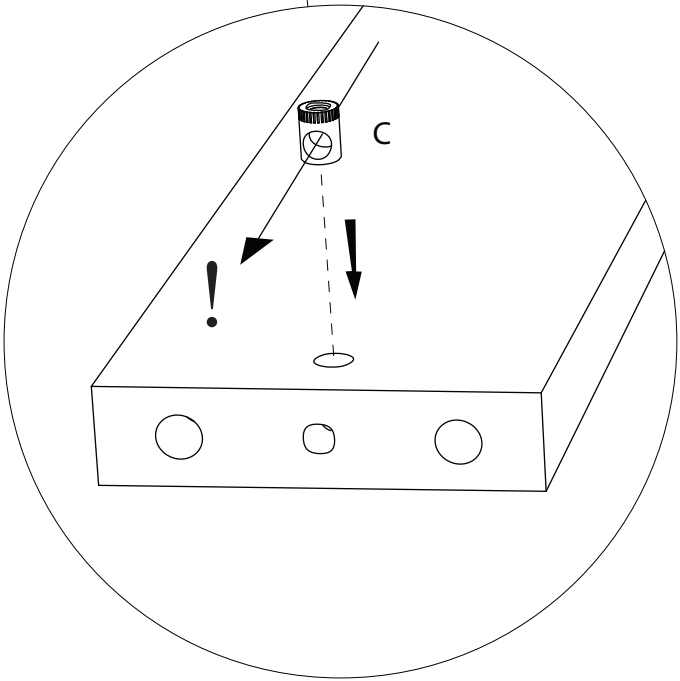
A = 12 x

B = 6 x

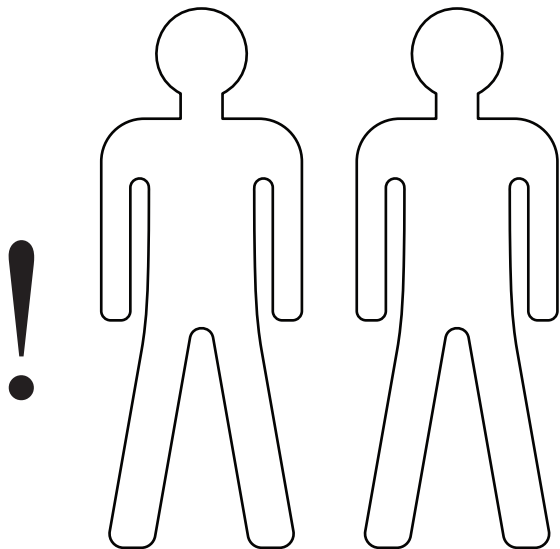
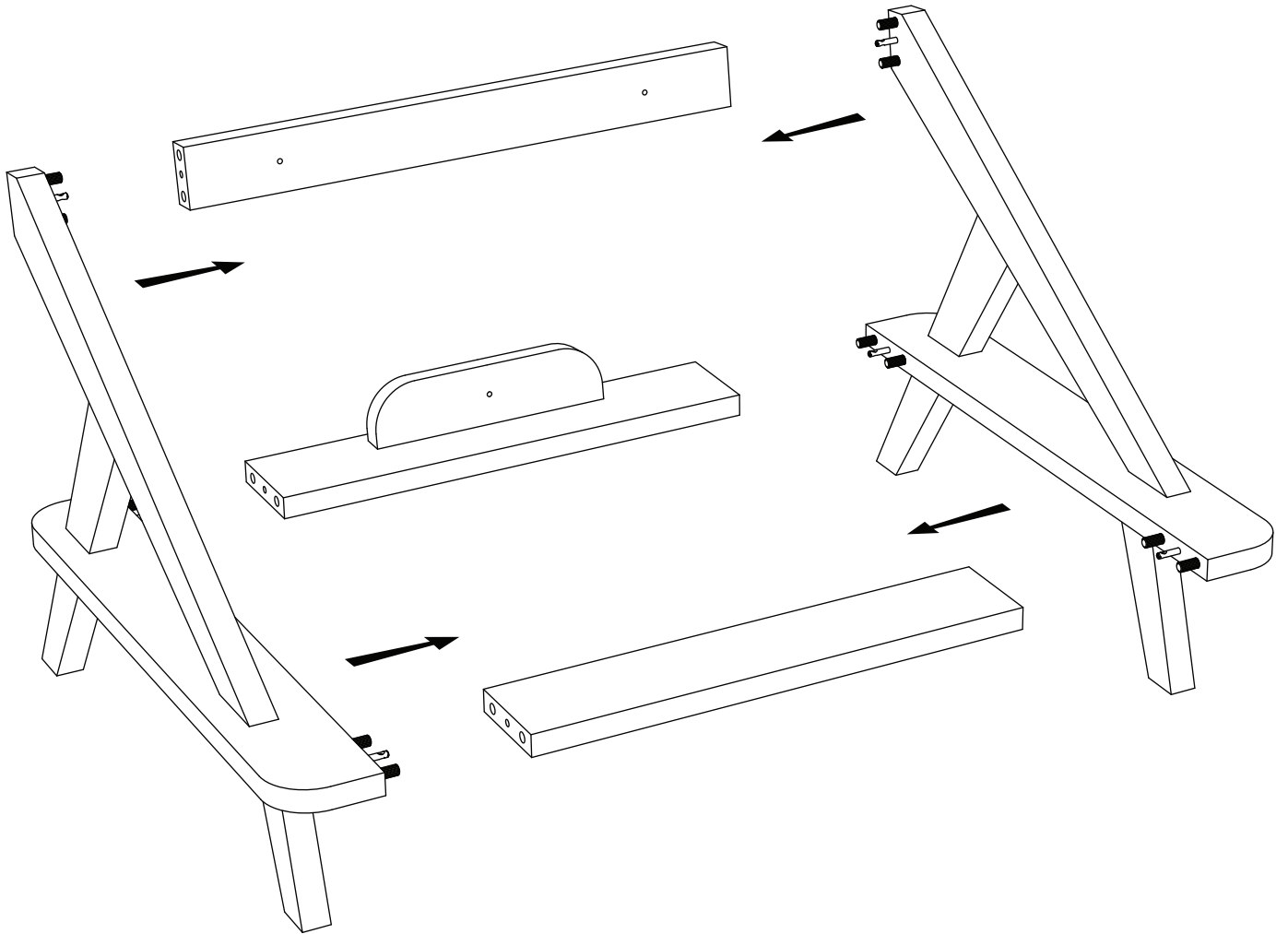
2



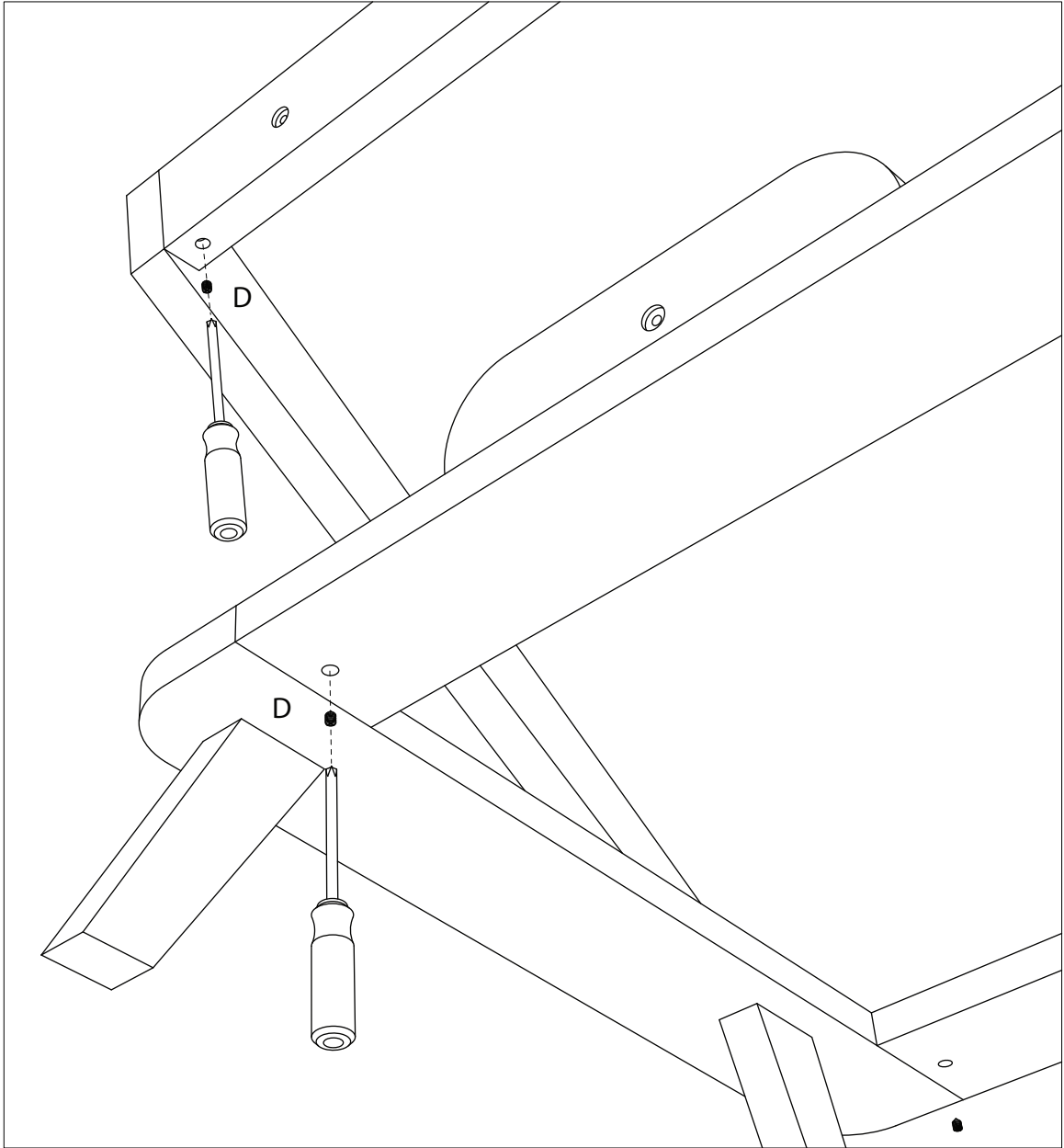
C = 6 x



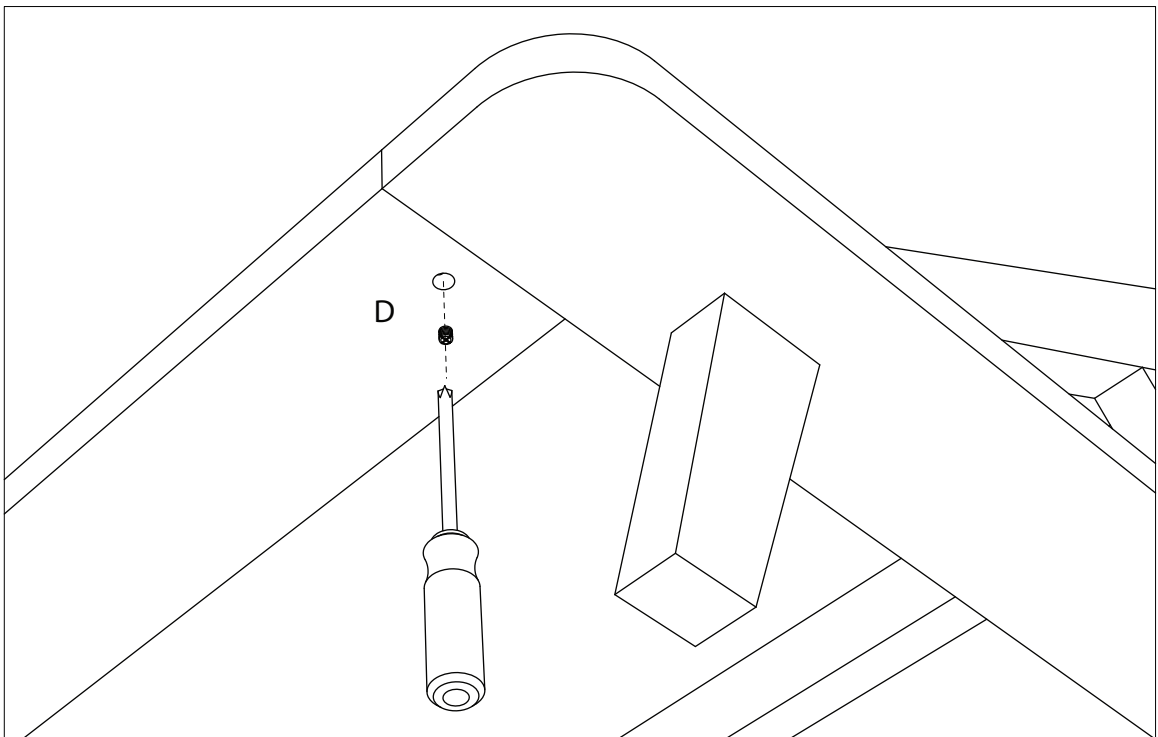
3



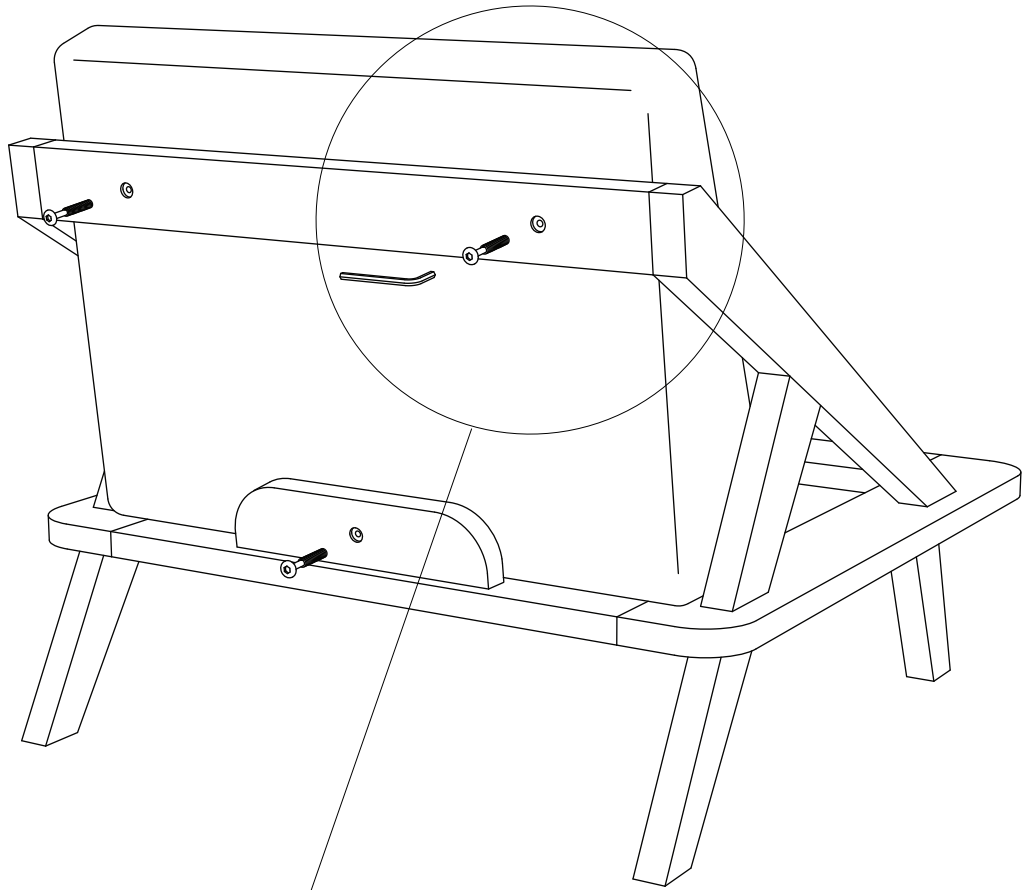
4



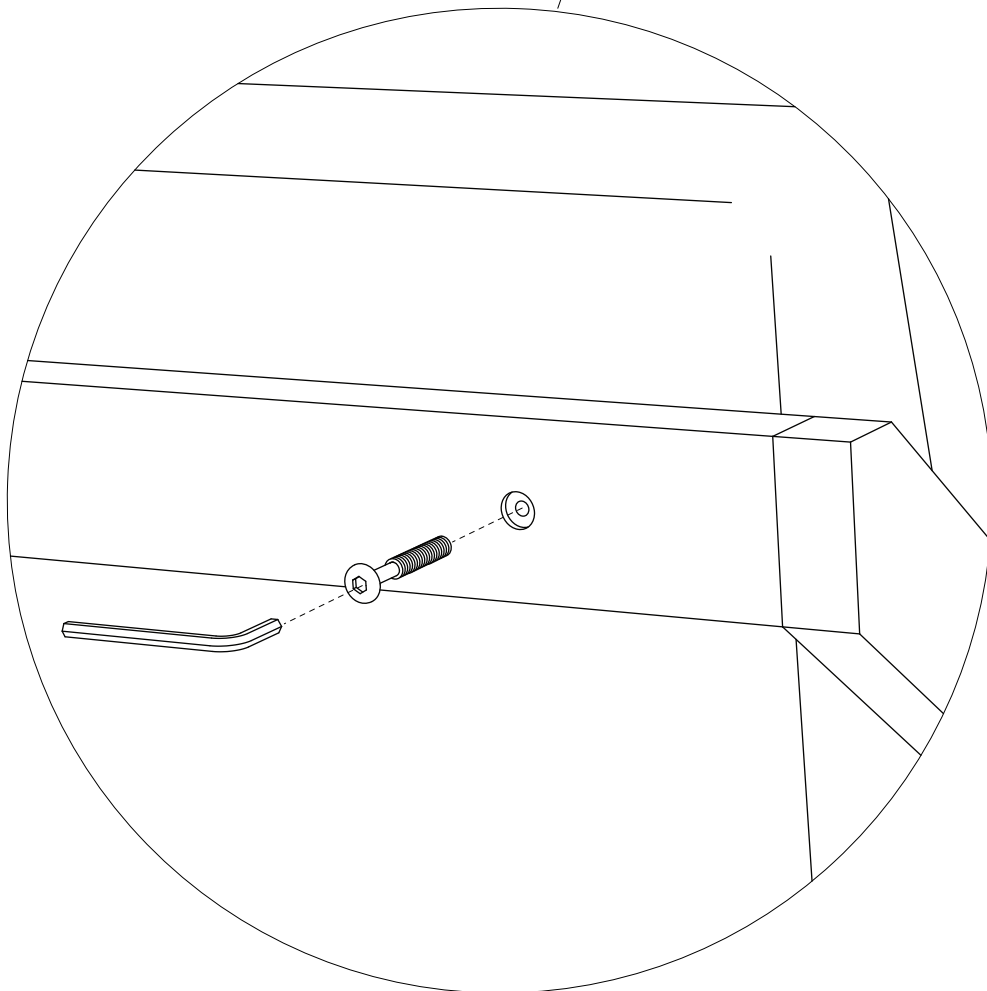
D = 6 x



5



E = 3 x





6

