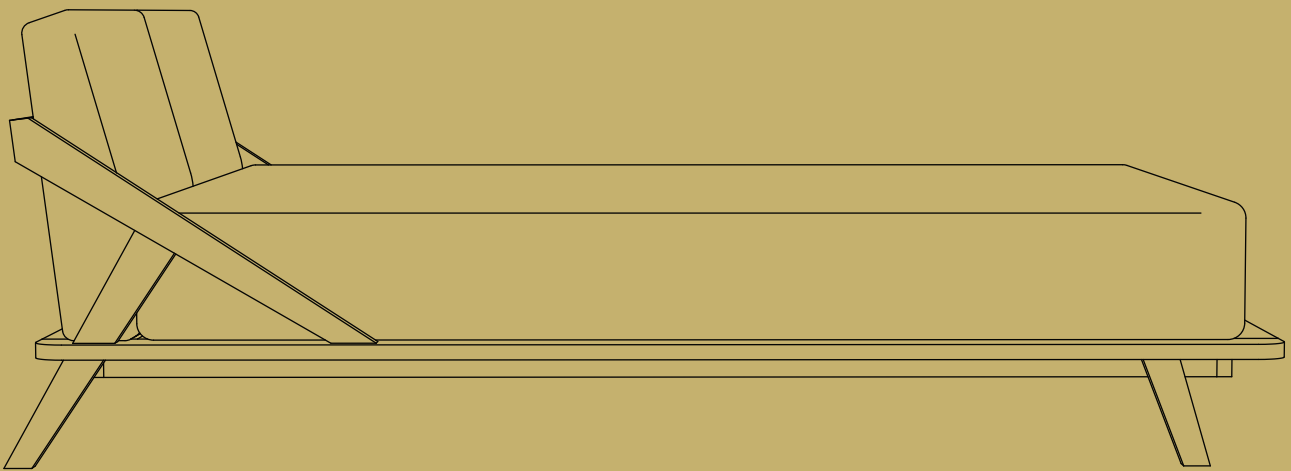


ellenberger

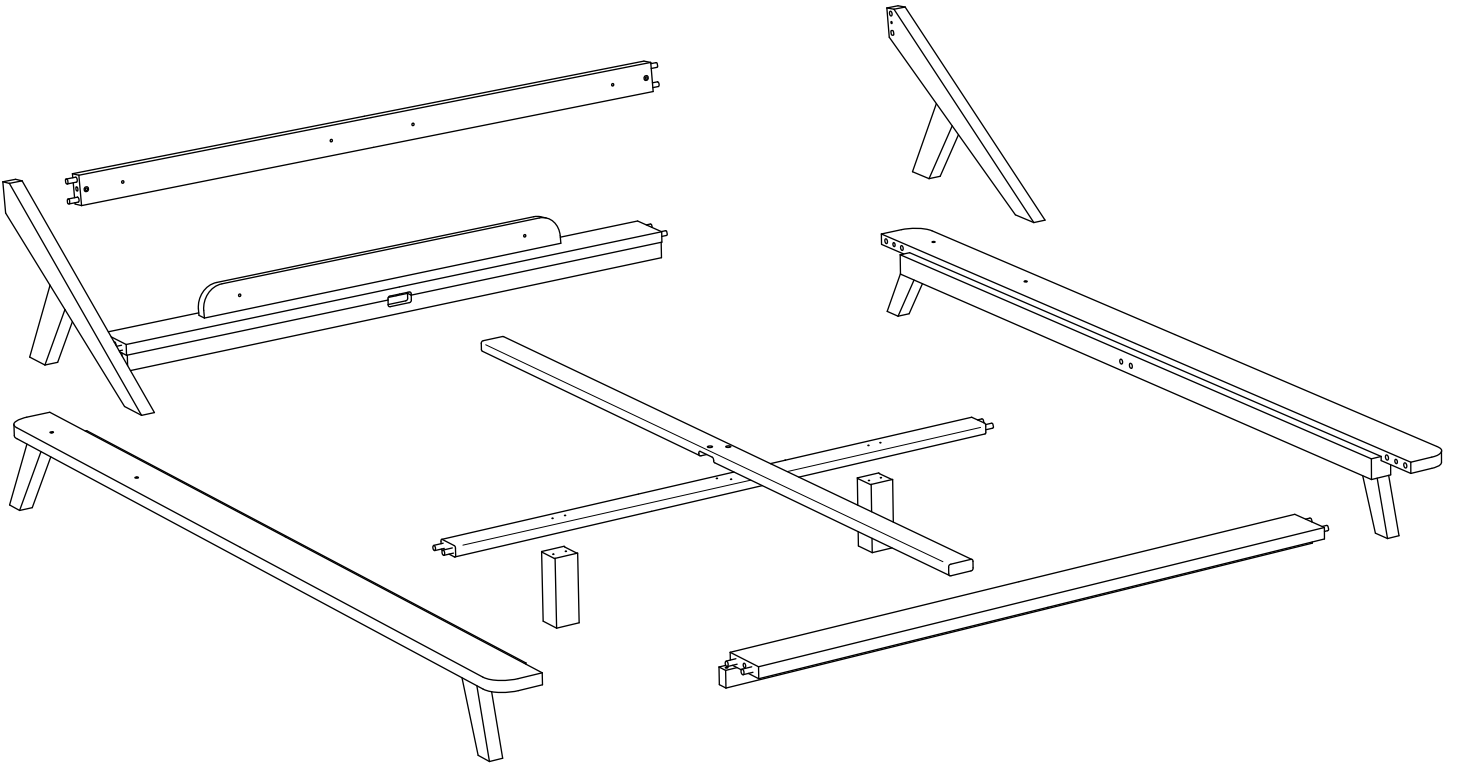
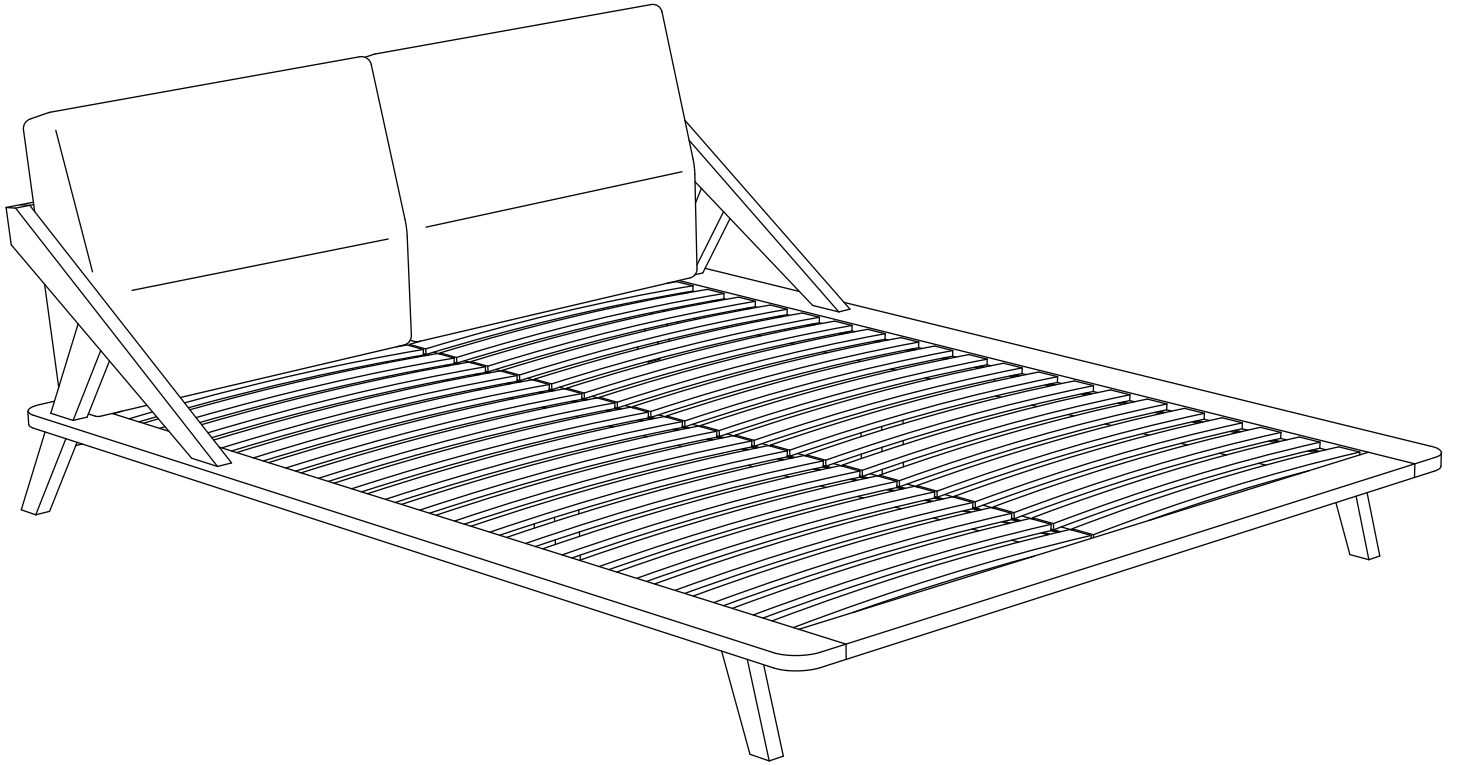
NORDIC SPACE FURNITURE COLLECTION

Bett | Bed

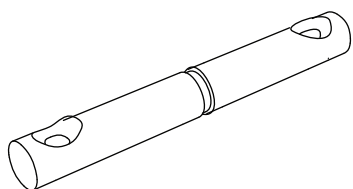


designed by Jannis Ellenberger

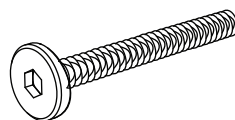
www.ellenbergerdesign.de



Art. - Nr.: NB-160 + NB-180 + NB-200



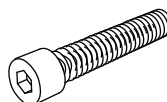
A = 4 x



E = 8 x



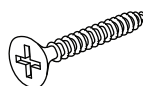
B = 10 x



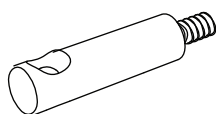
F = 4 x



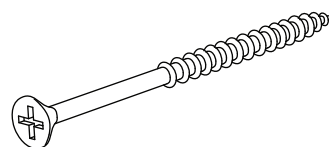
C = 10 x



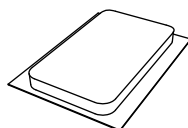
G = 16 x



D = 2 x

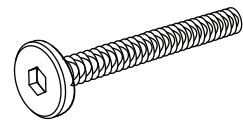
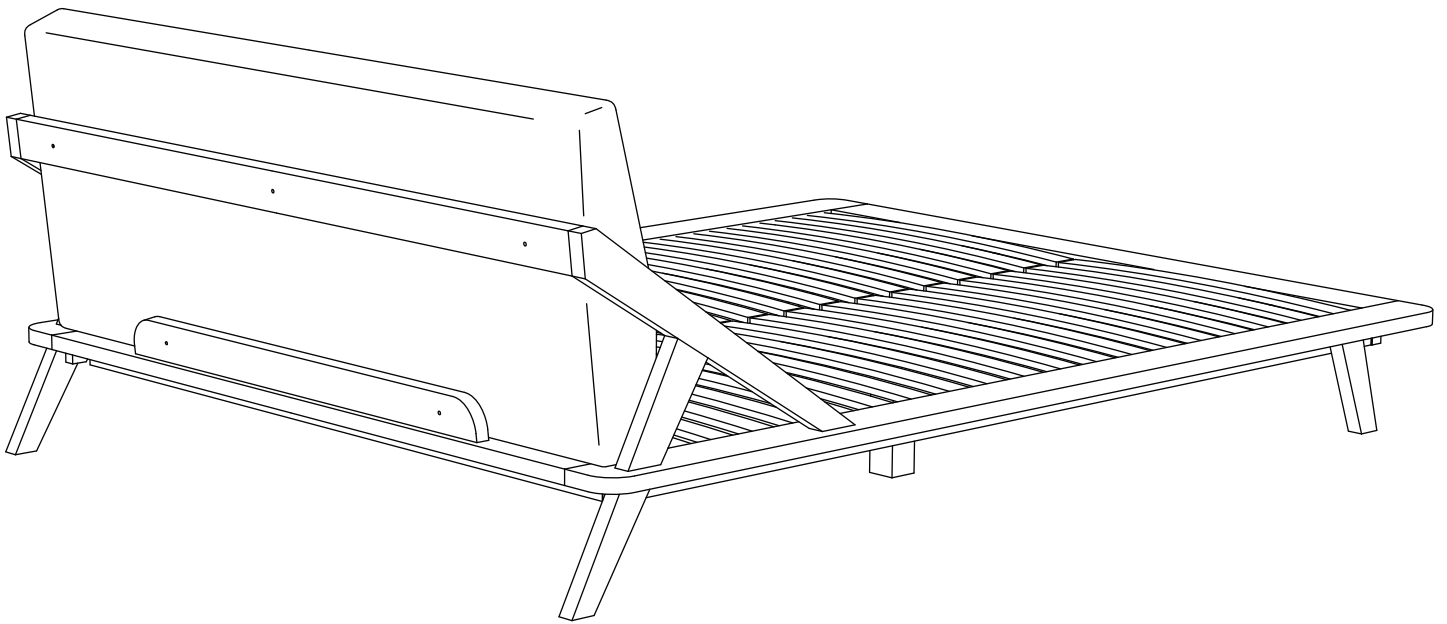


H = 4 x

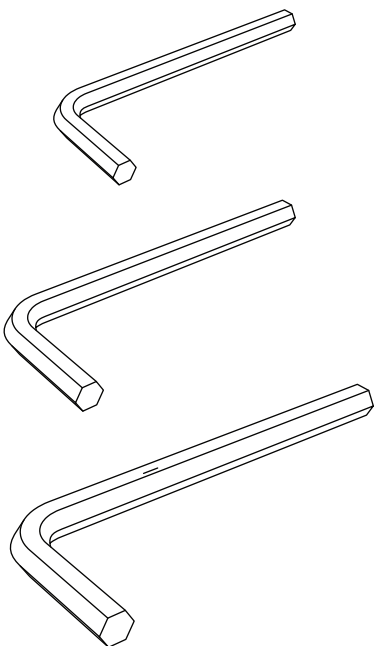


J = 6 x

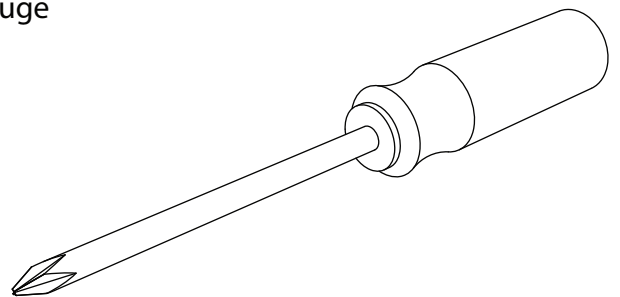
Art. - Nr.: NB-140



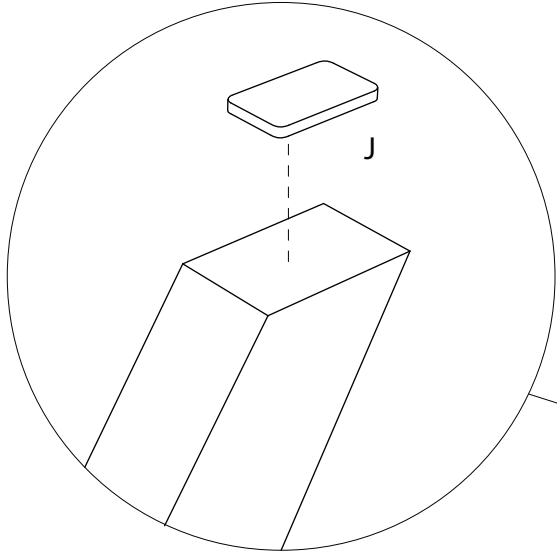
E = 7 x



benötigte Werkzeuge
tools needed

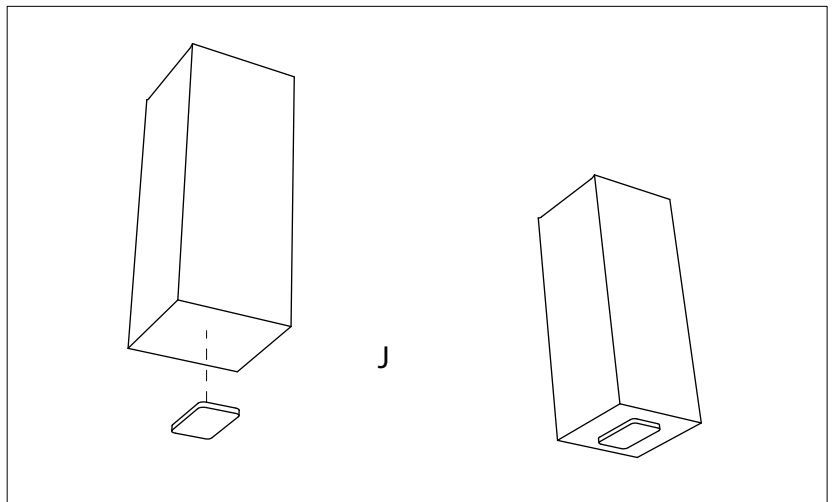
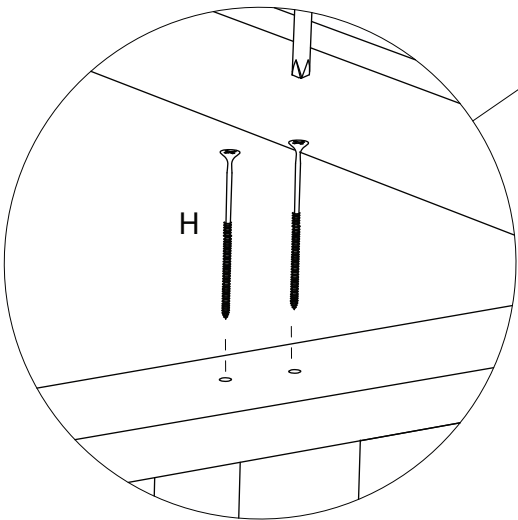
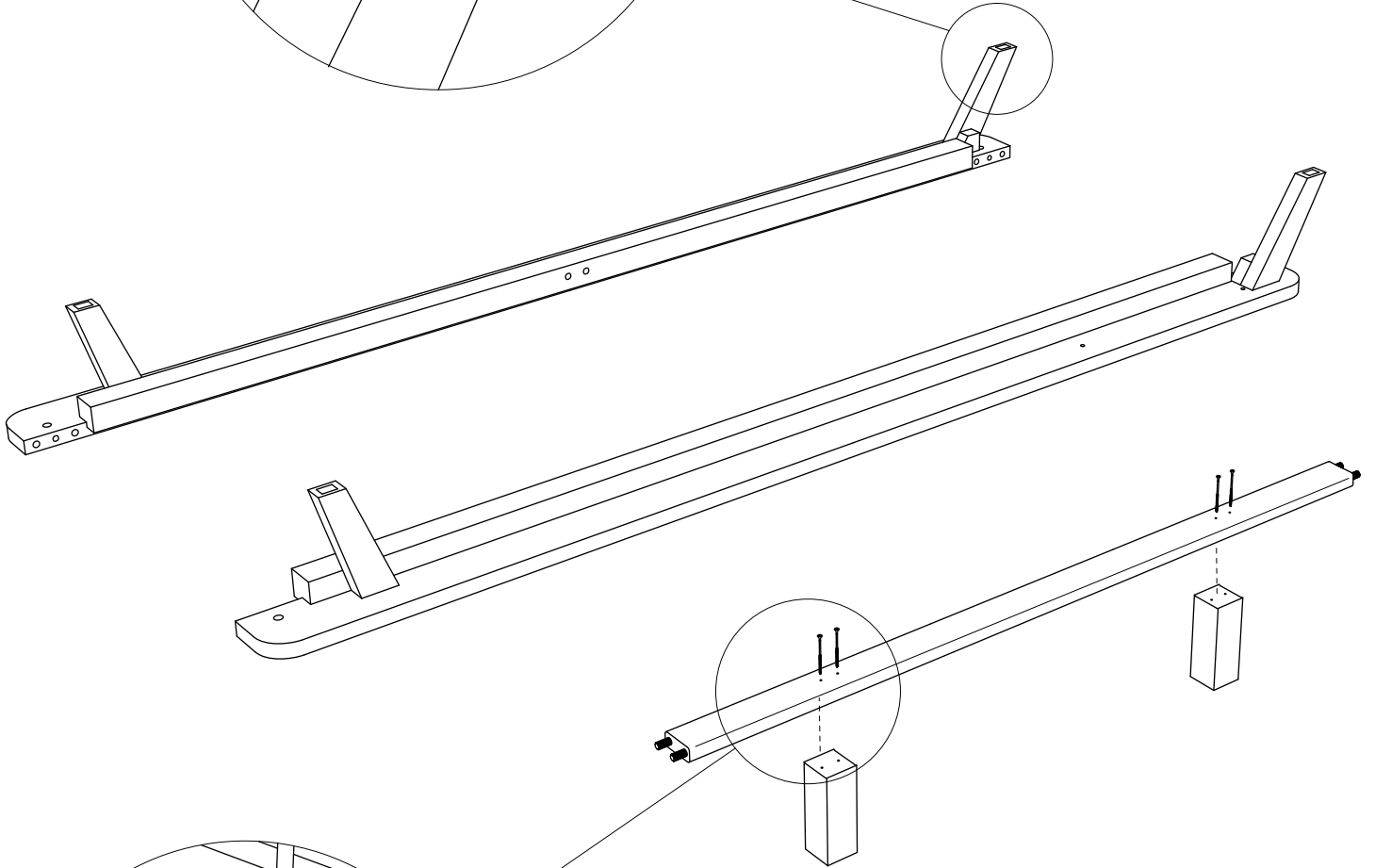


1

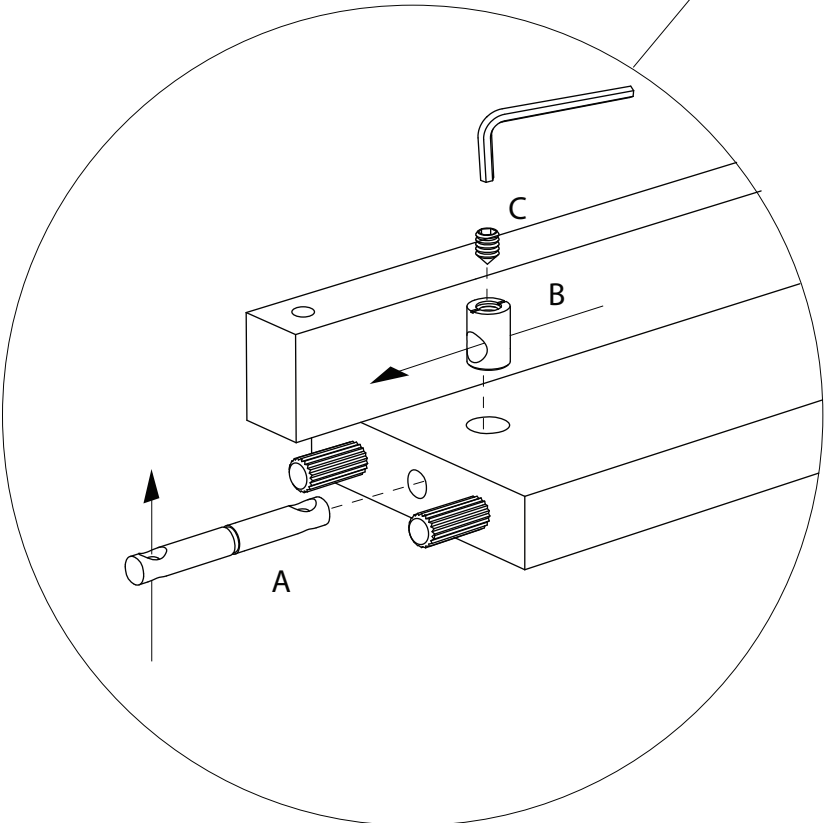
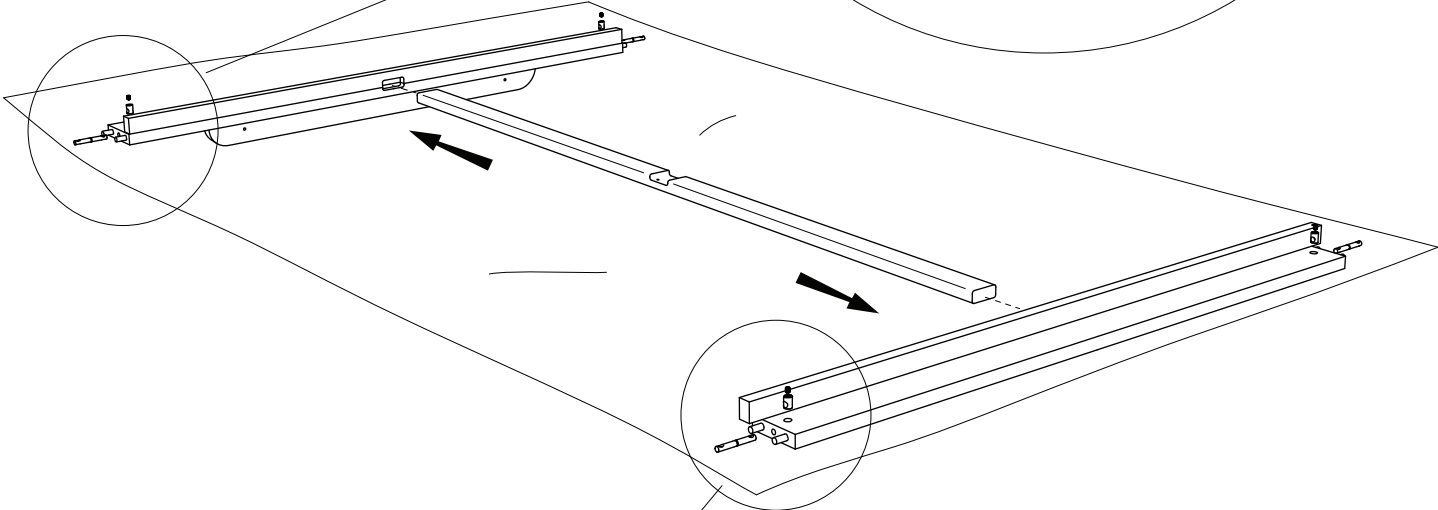
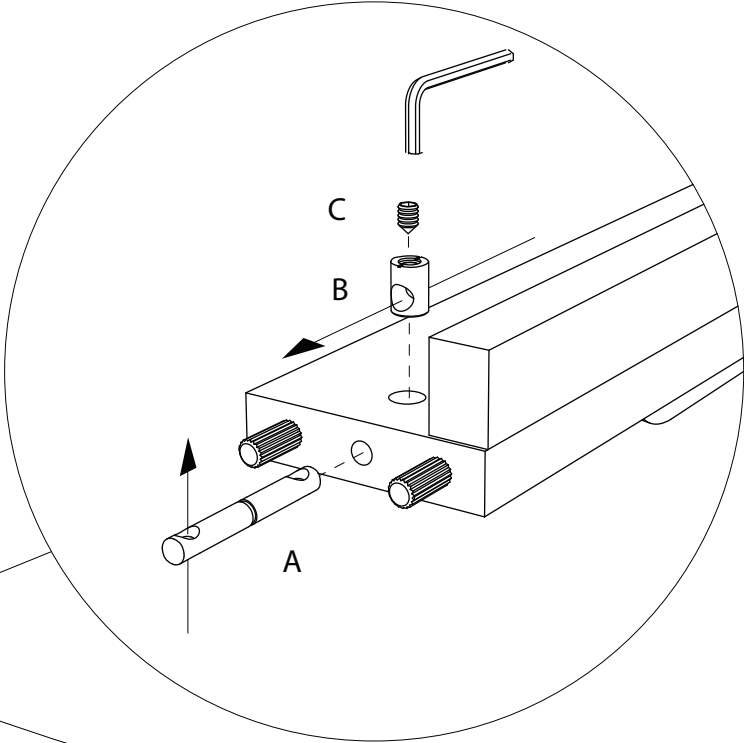
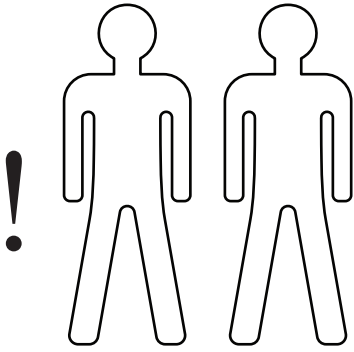


J = 6 x

H = 4 x



2



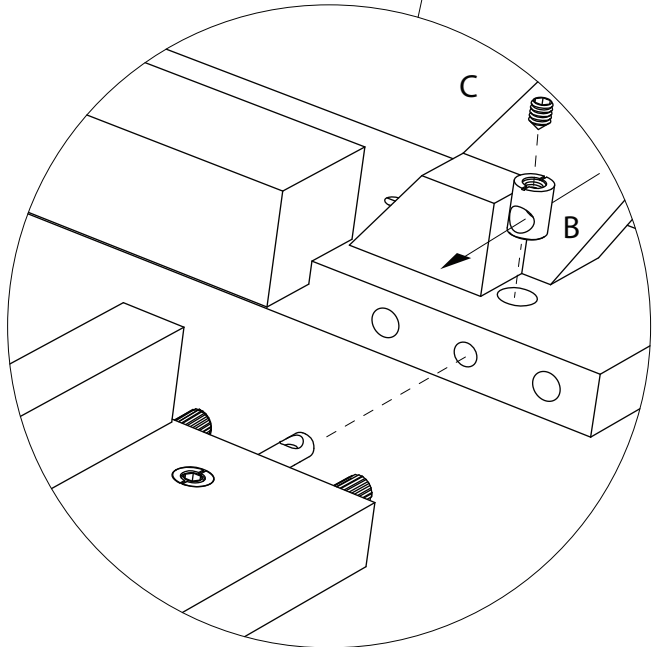
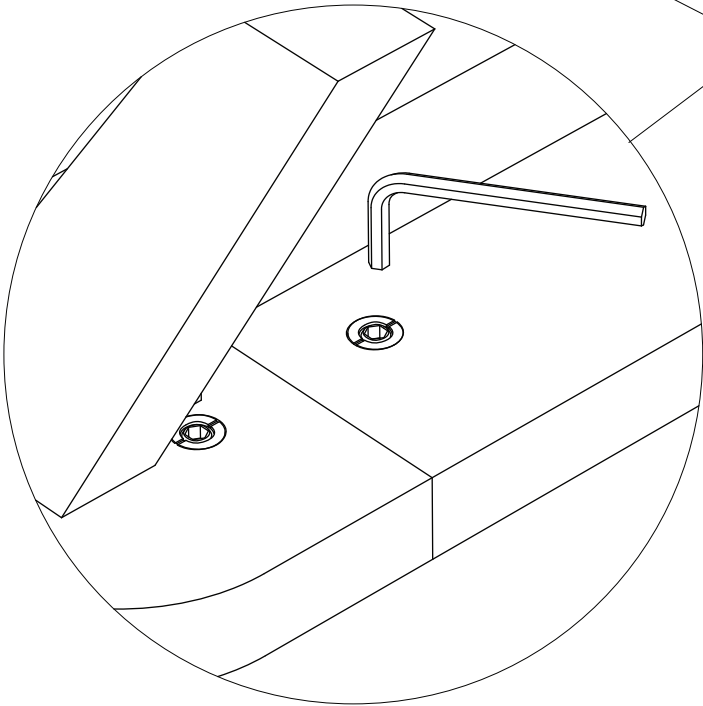
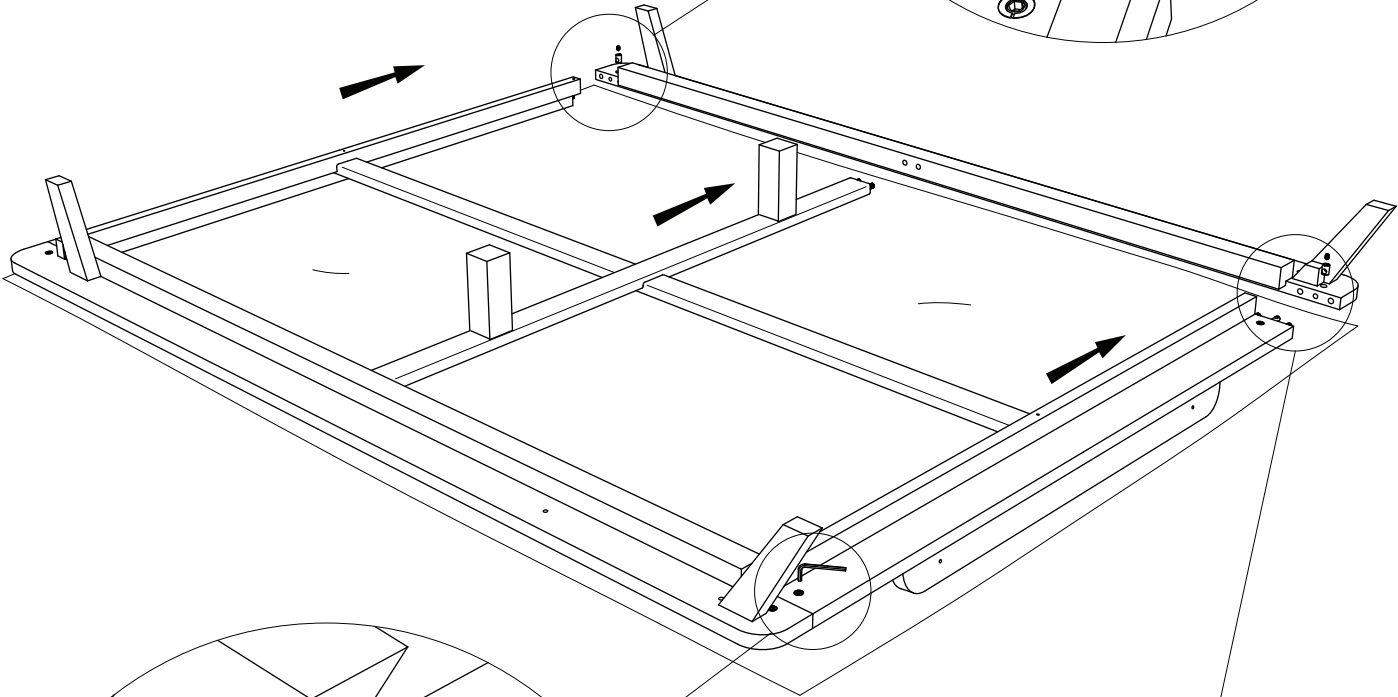
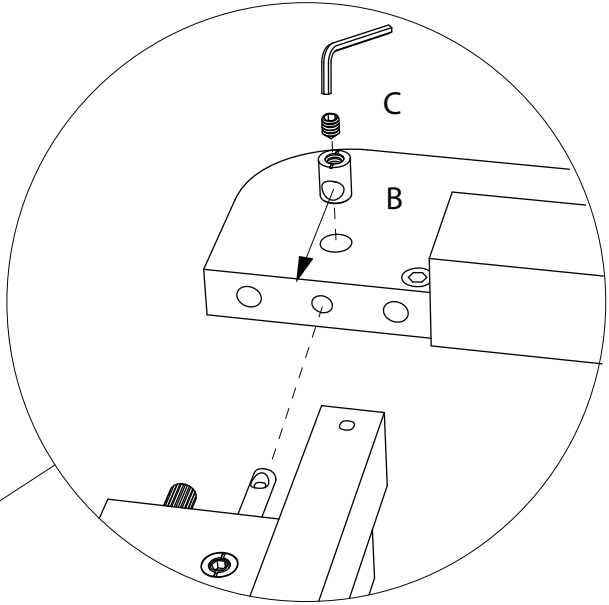
A = 4 x
B = 4 x
C = 4 x

! nur leicht anziehen
do not tighten too firmly

3

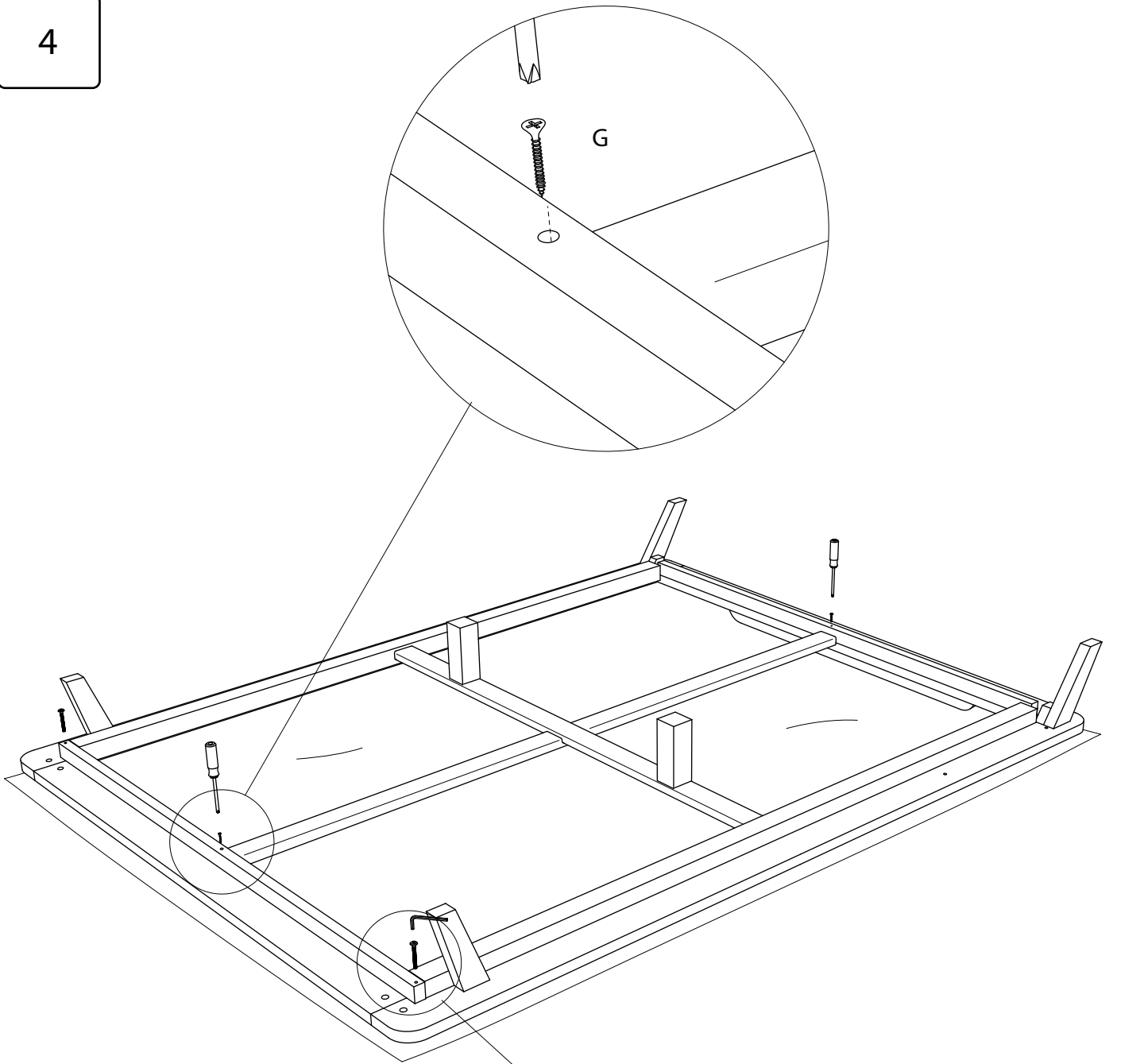
B = 4 x

C = 4 x



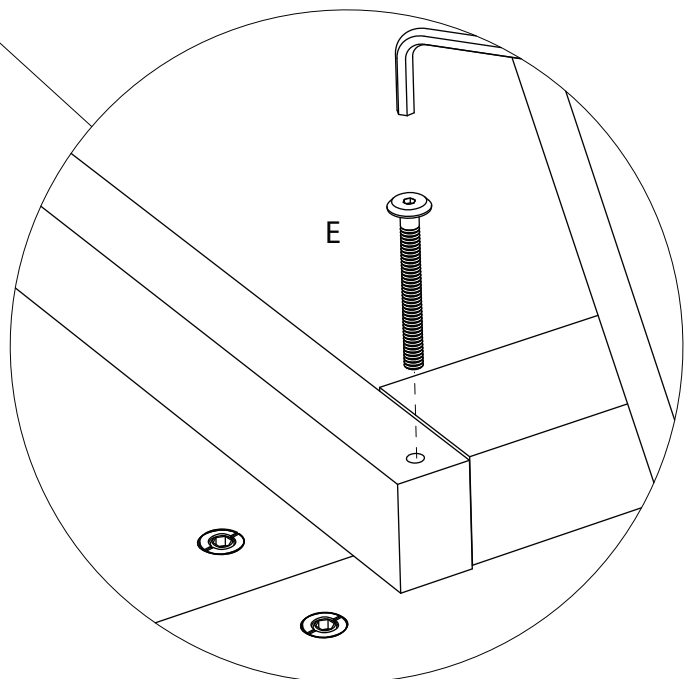
! alle fest anziehen
! tighten all firmly

4

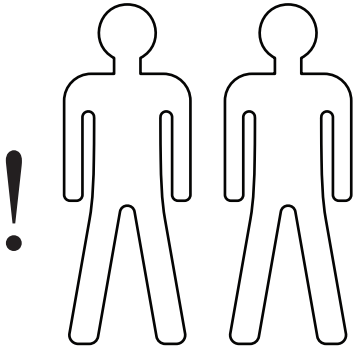
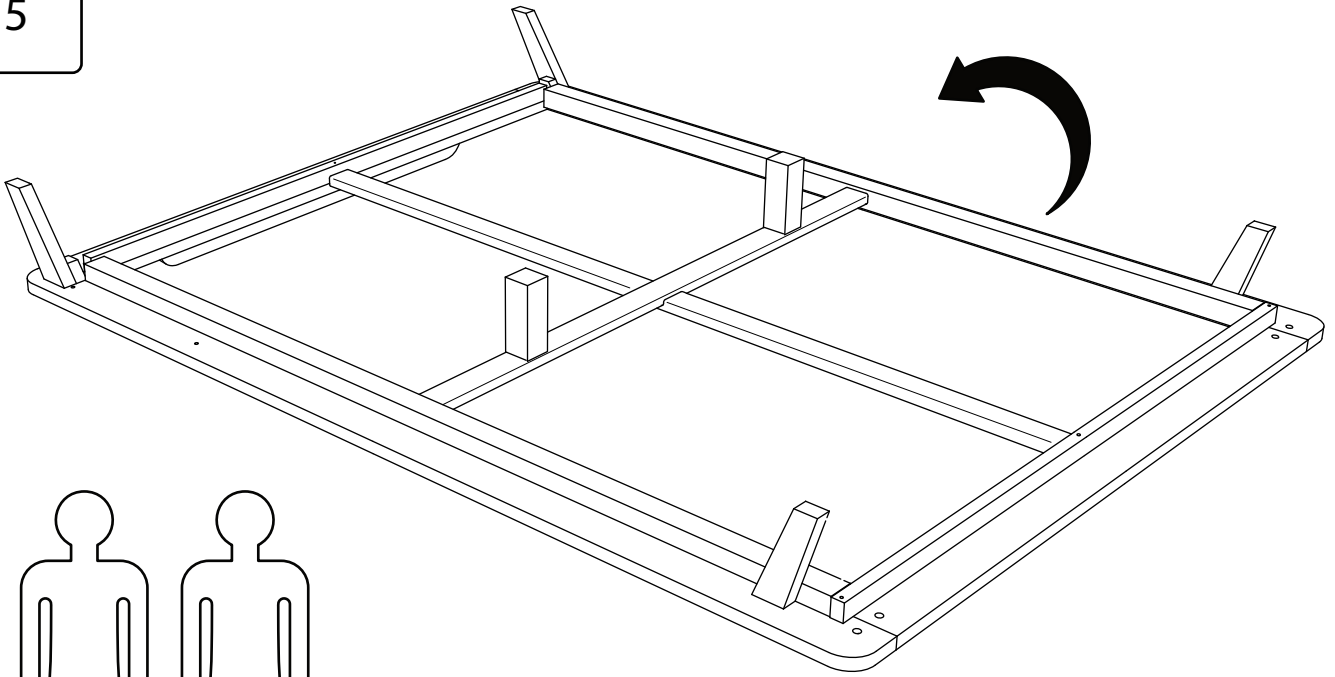


E = 2 x

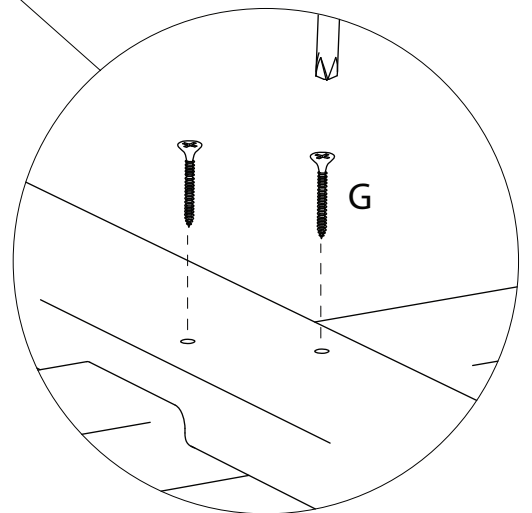
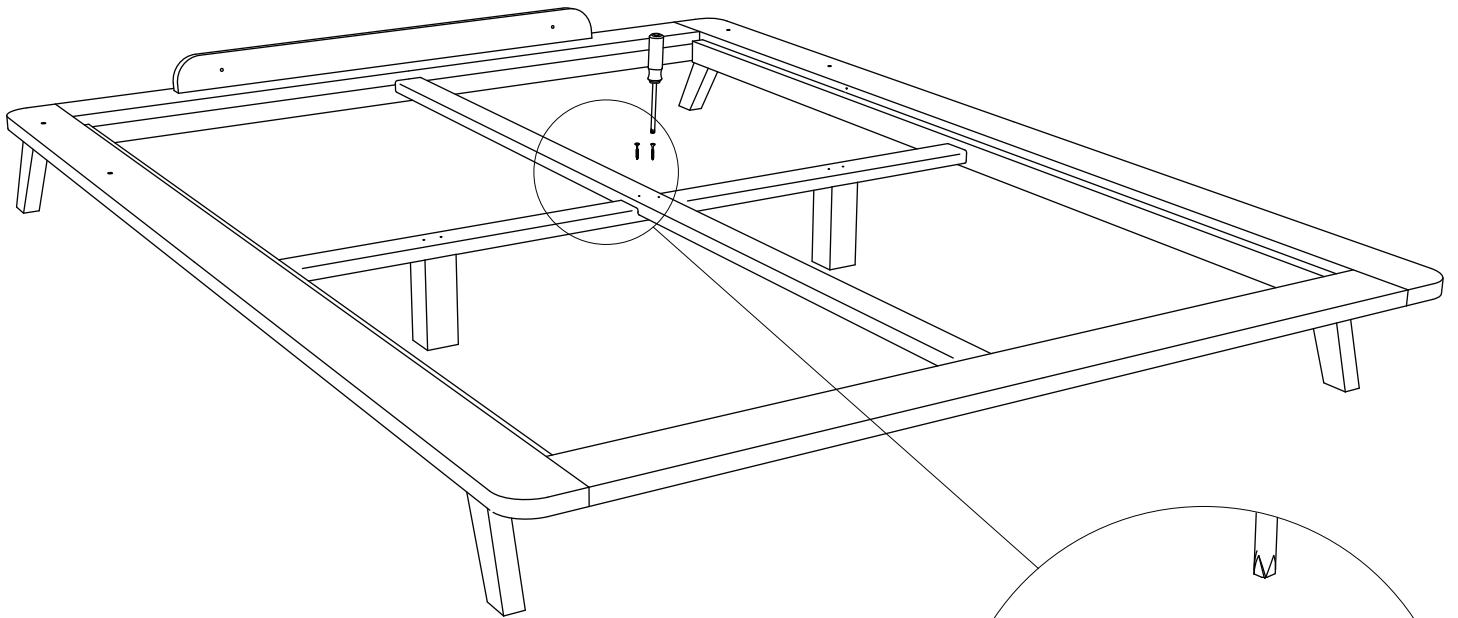
G = 2 x



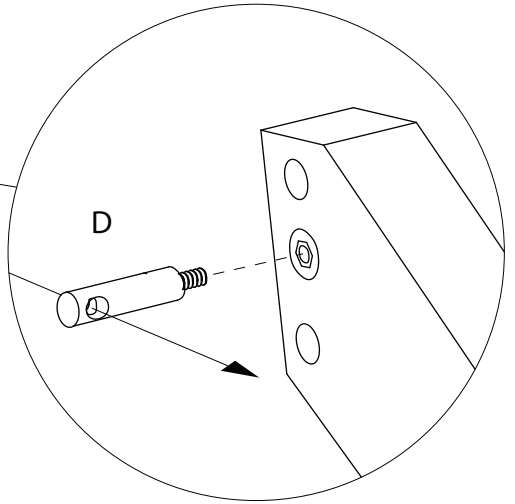
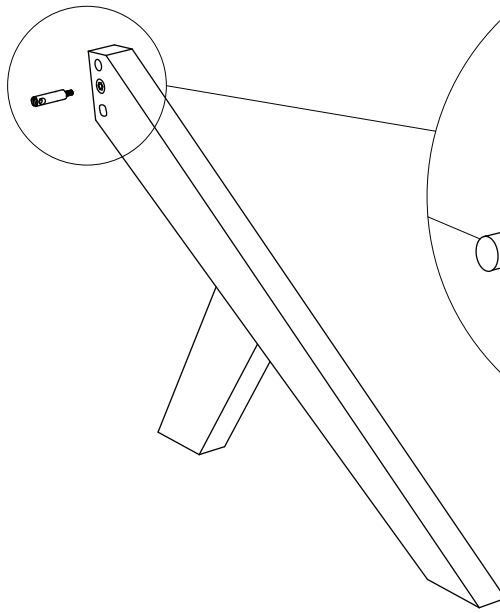
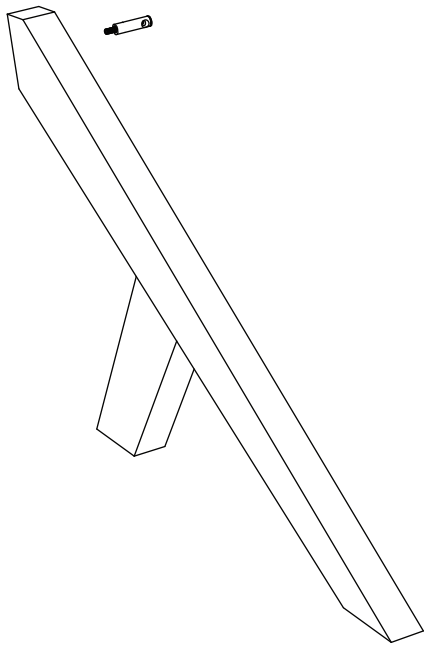
5



G = 2 x



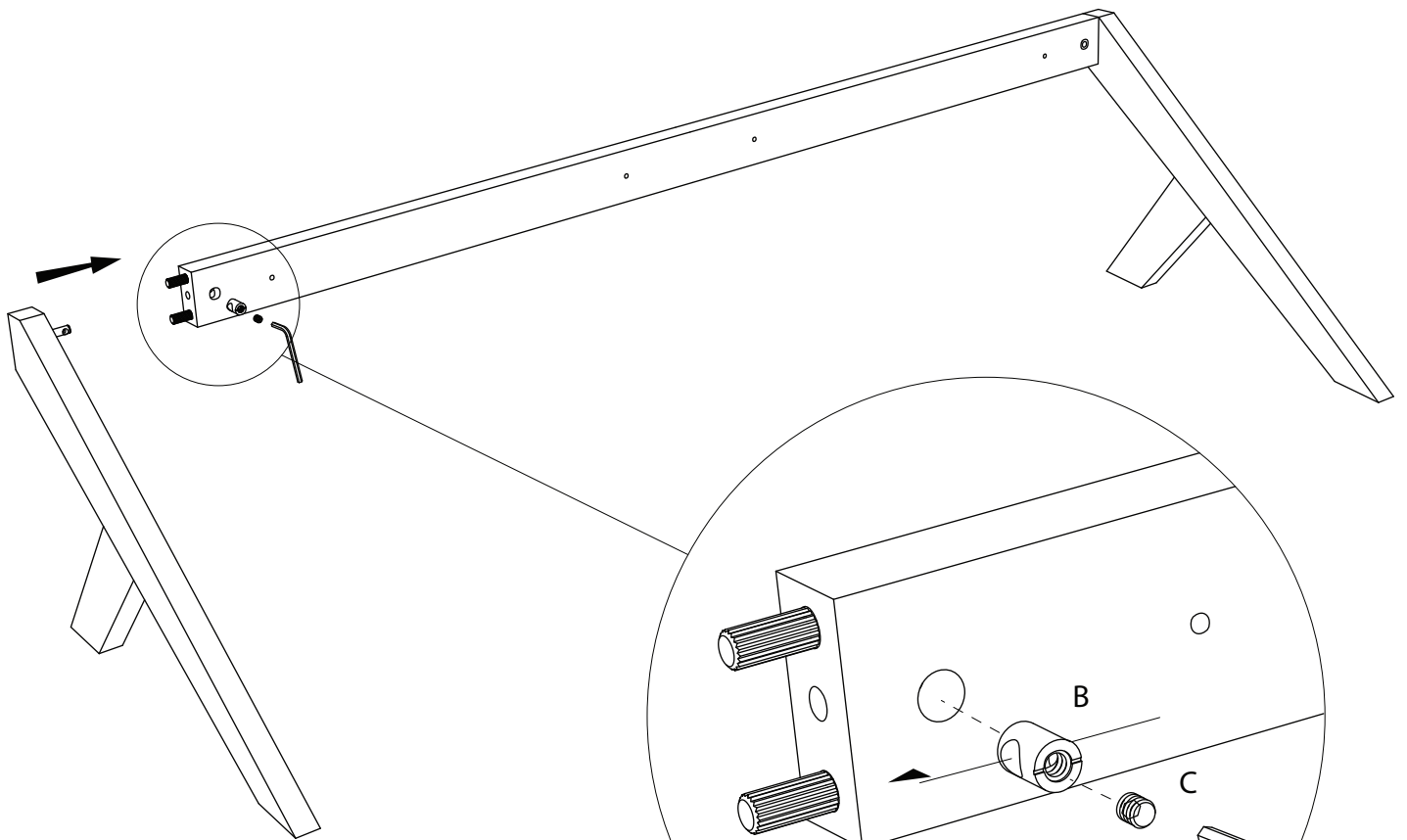
6



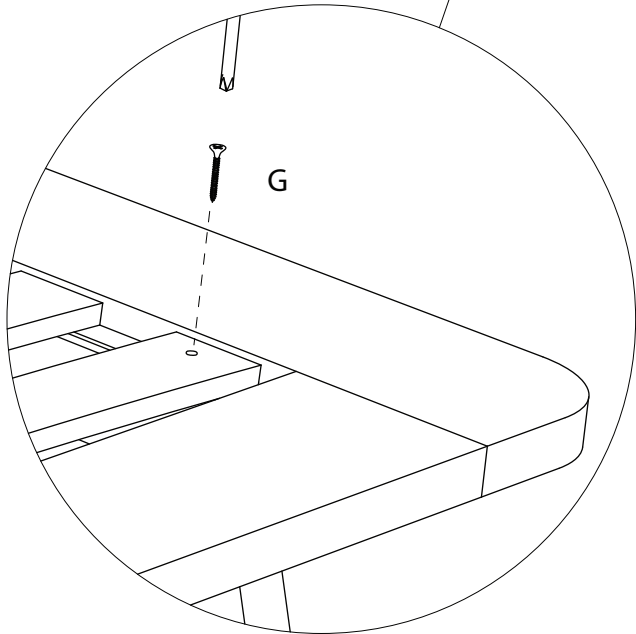
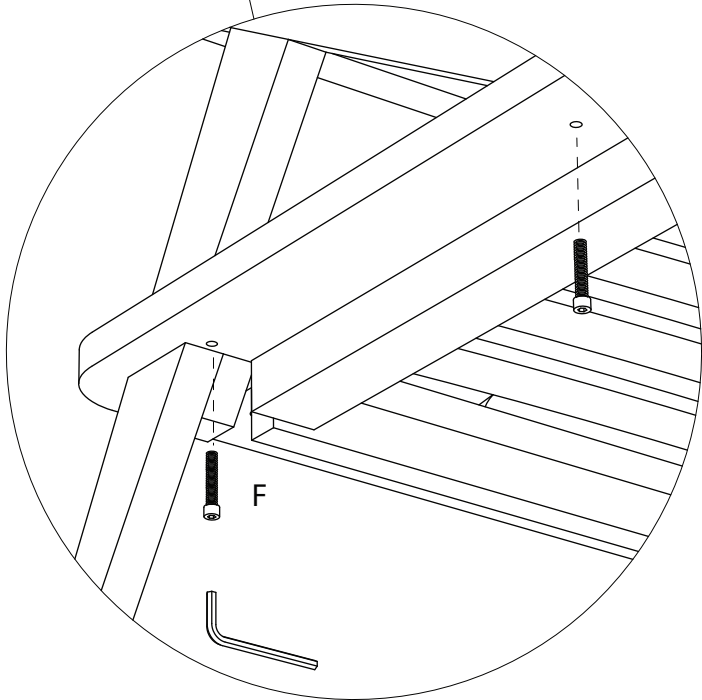
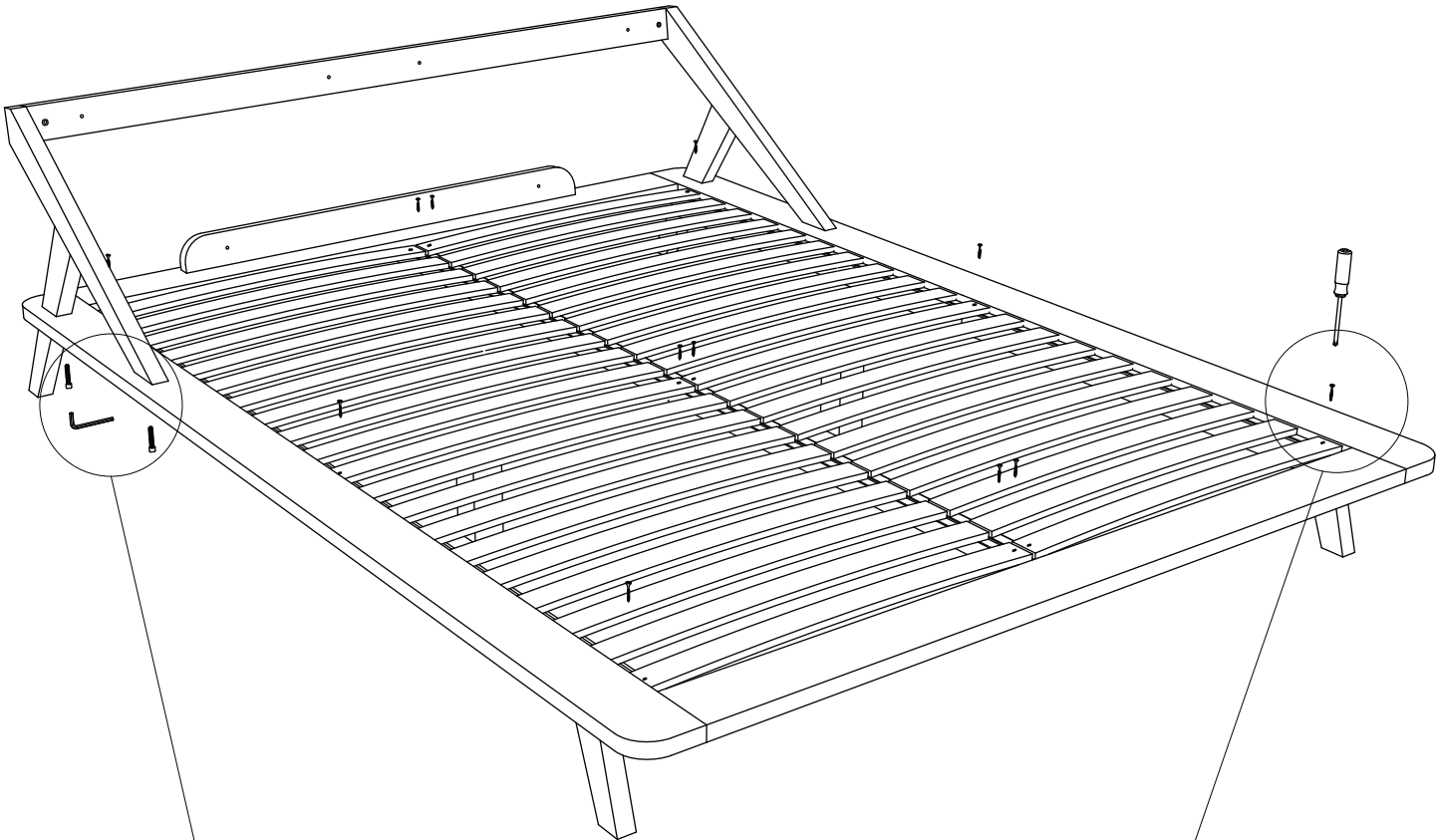
B = 2 x

C = 2 x

D = 2 x



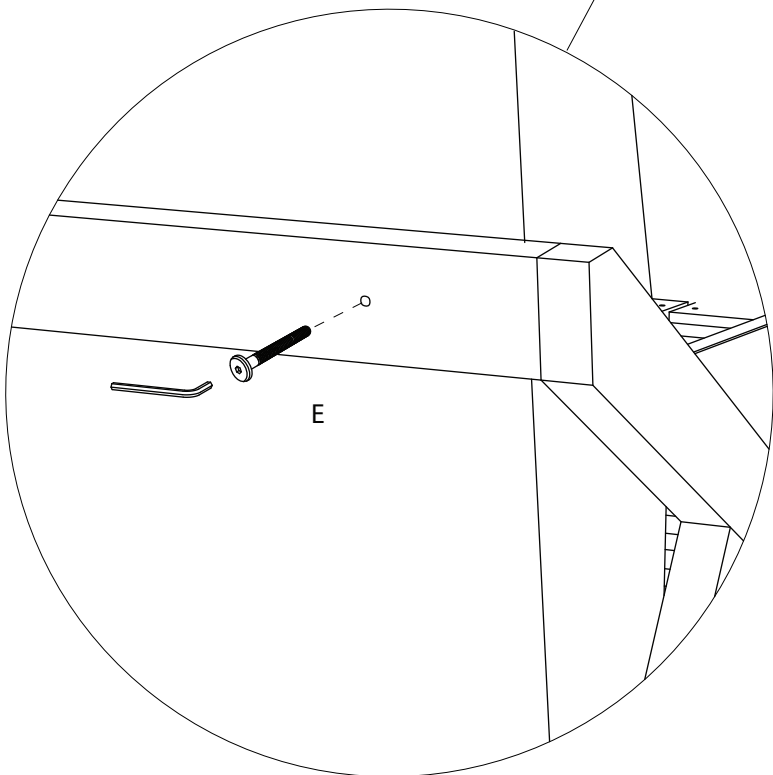
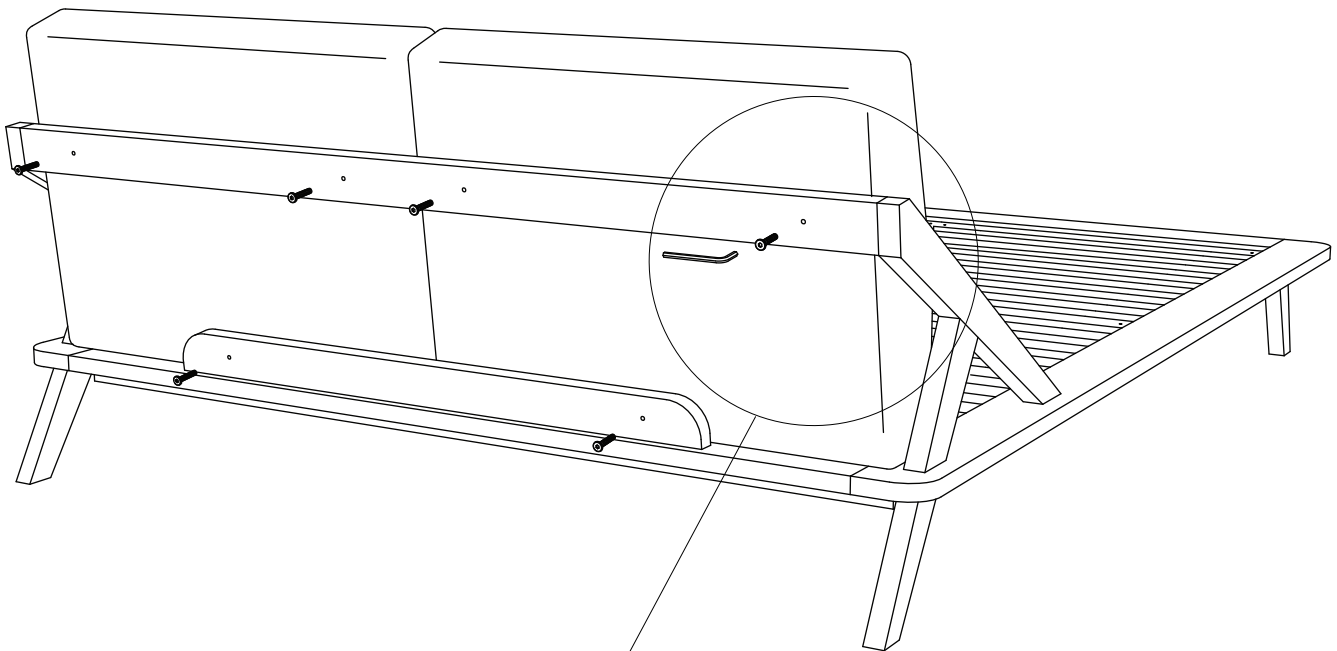
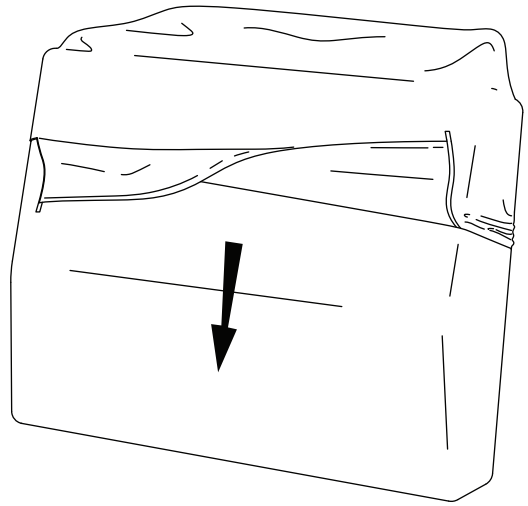
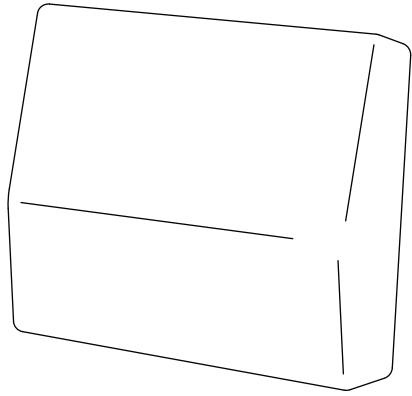
7



F = 4 x

G = 12 x

8



E = 6 x