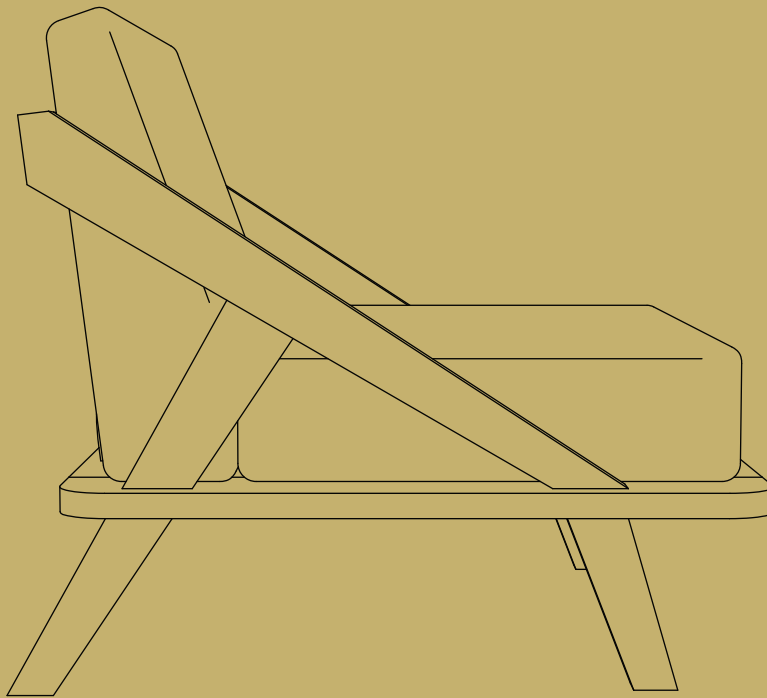


ellenberger

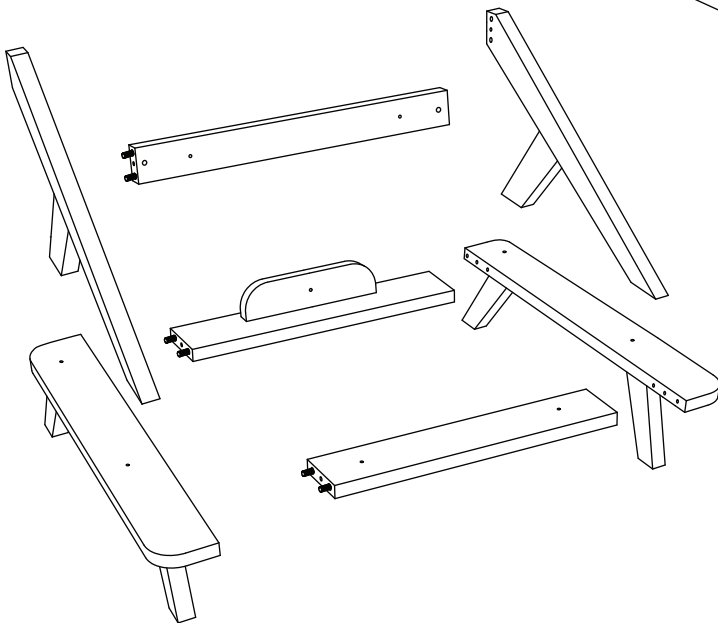
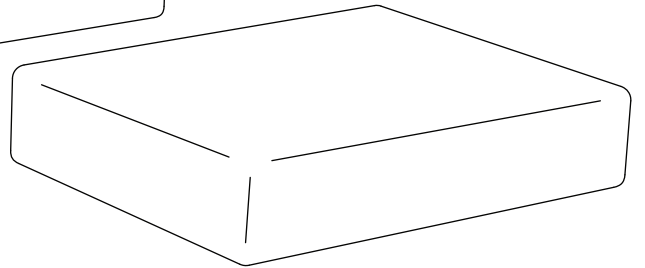
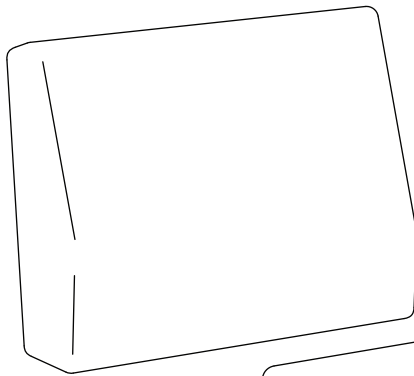
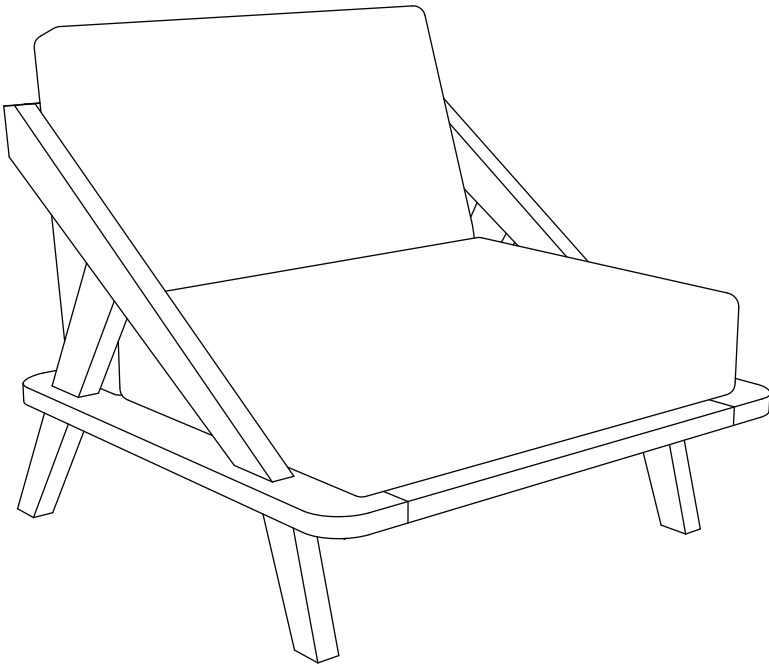
NORDIC SPACE FURNITURE COLLECTION

Sessel | Chair

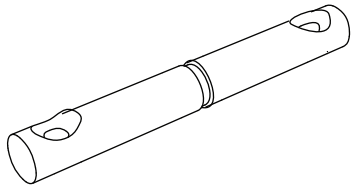


designed by Jannis Ellenberger

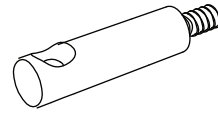
www.ellenbergerdesign.de



Art. - Nr.: DRO4



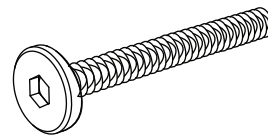
A = 4 x



D = 2 x



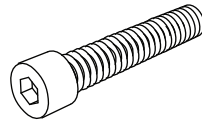
B = 10 x



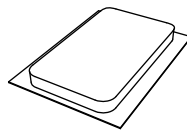
E = 3 x



C = 10 x

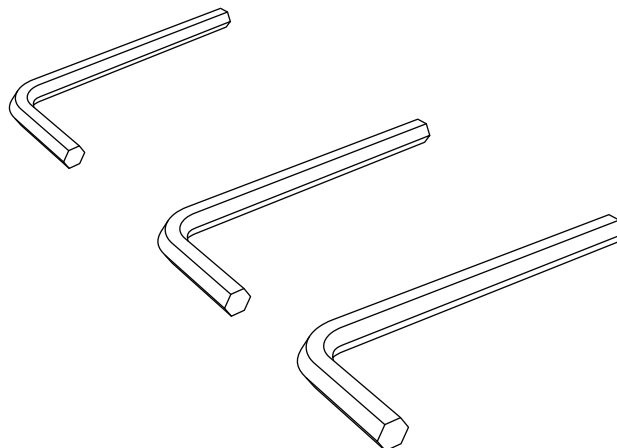


F = 4 x

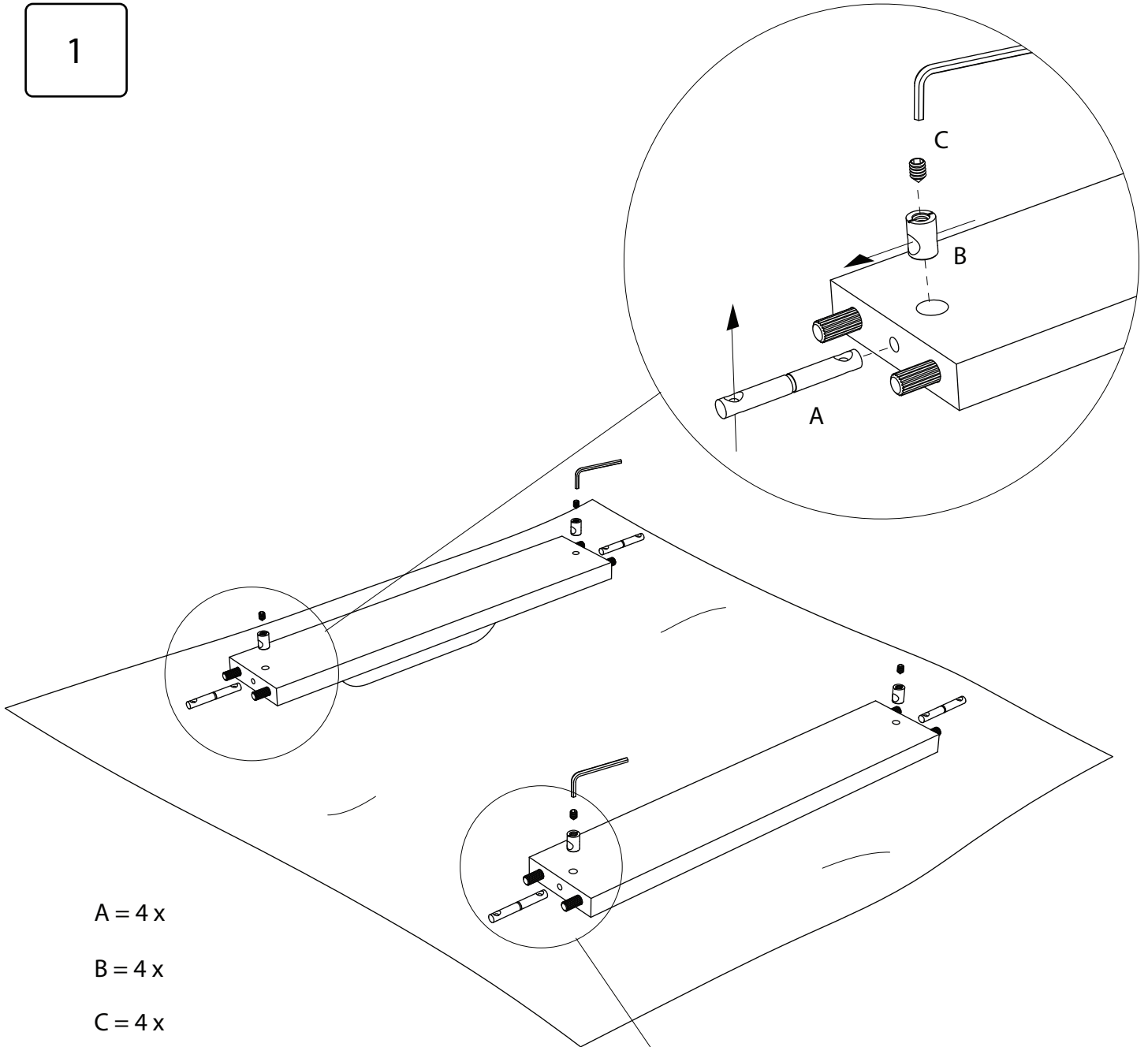


G = 4 x

tools needed



1

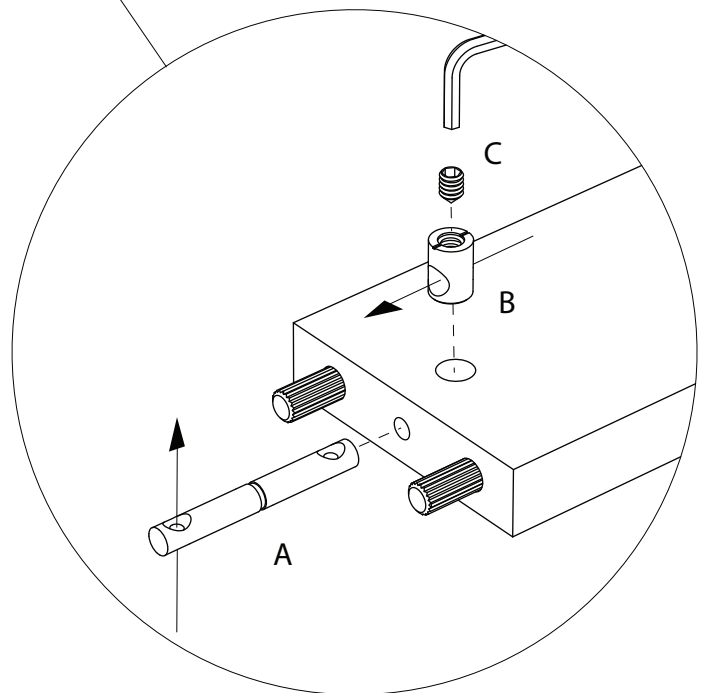


A = 4 x

B = 4 x

C = 4 x

! nur leicht anziehen
do not tighten too firmly

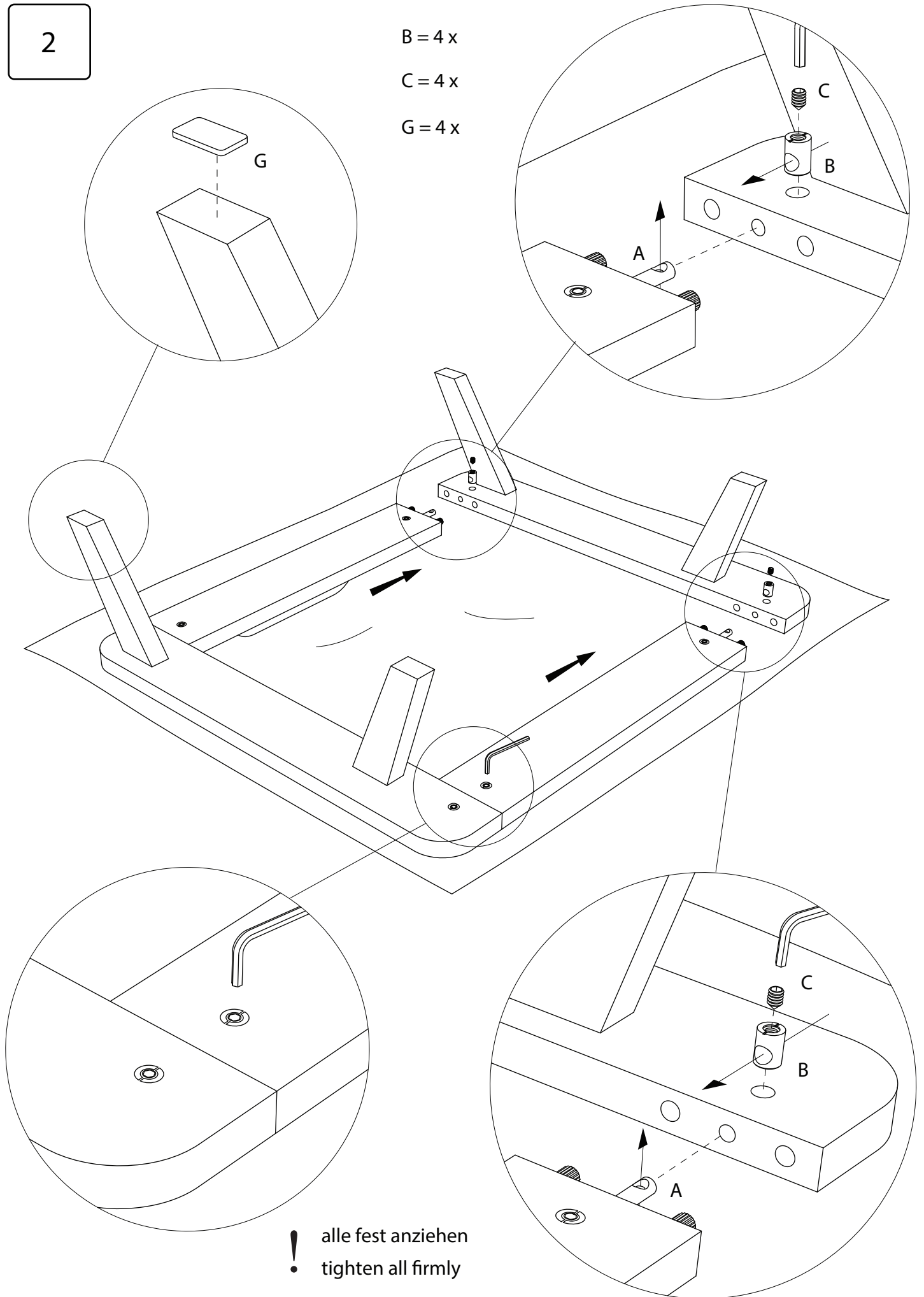


2

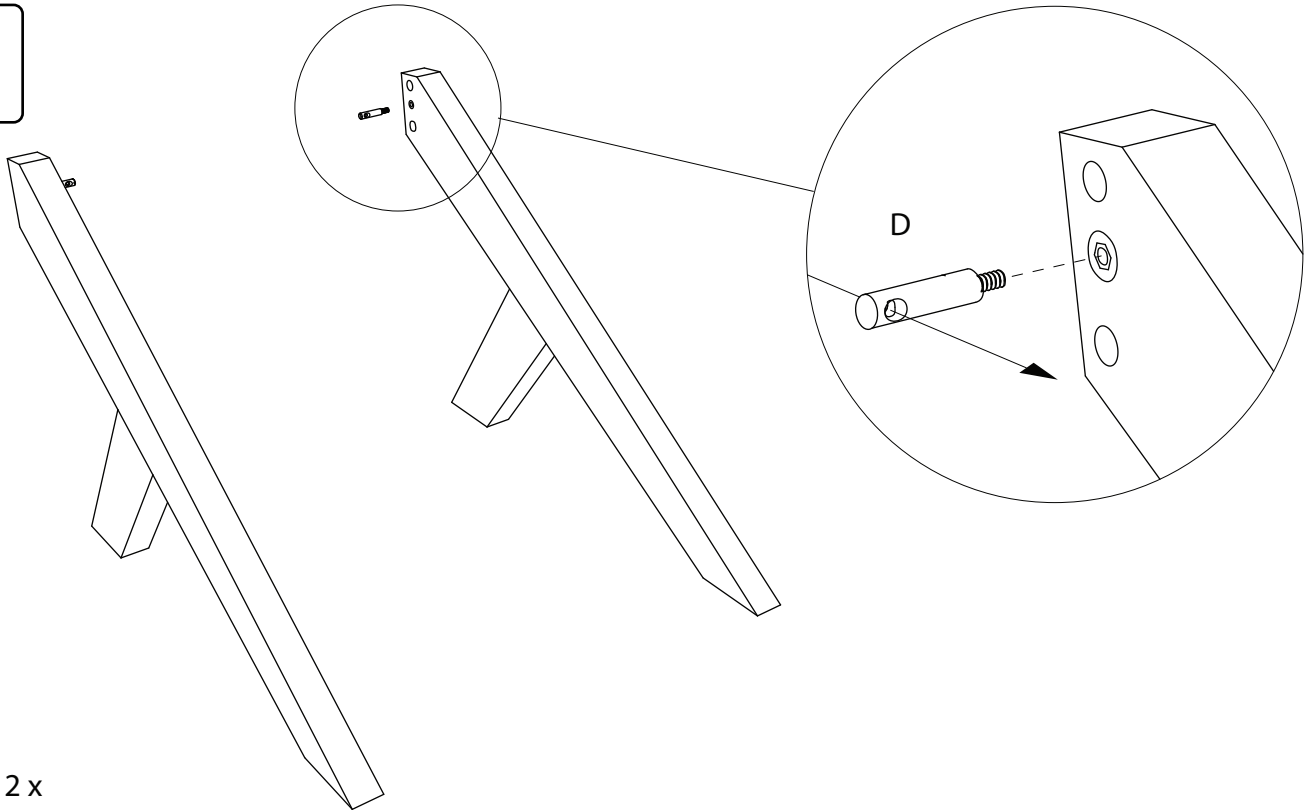
B = 4 x

C = 4 x

G = 4 x



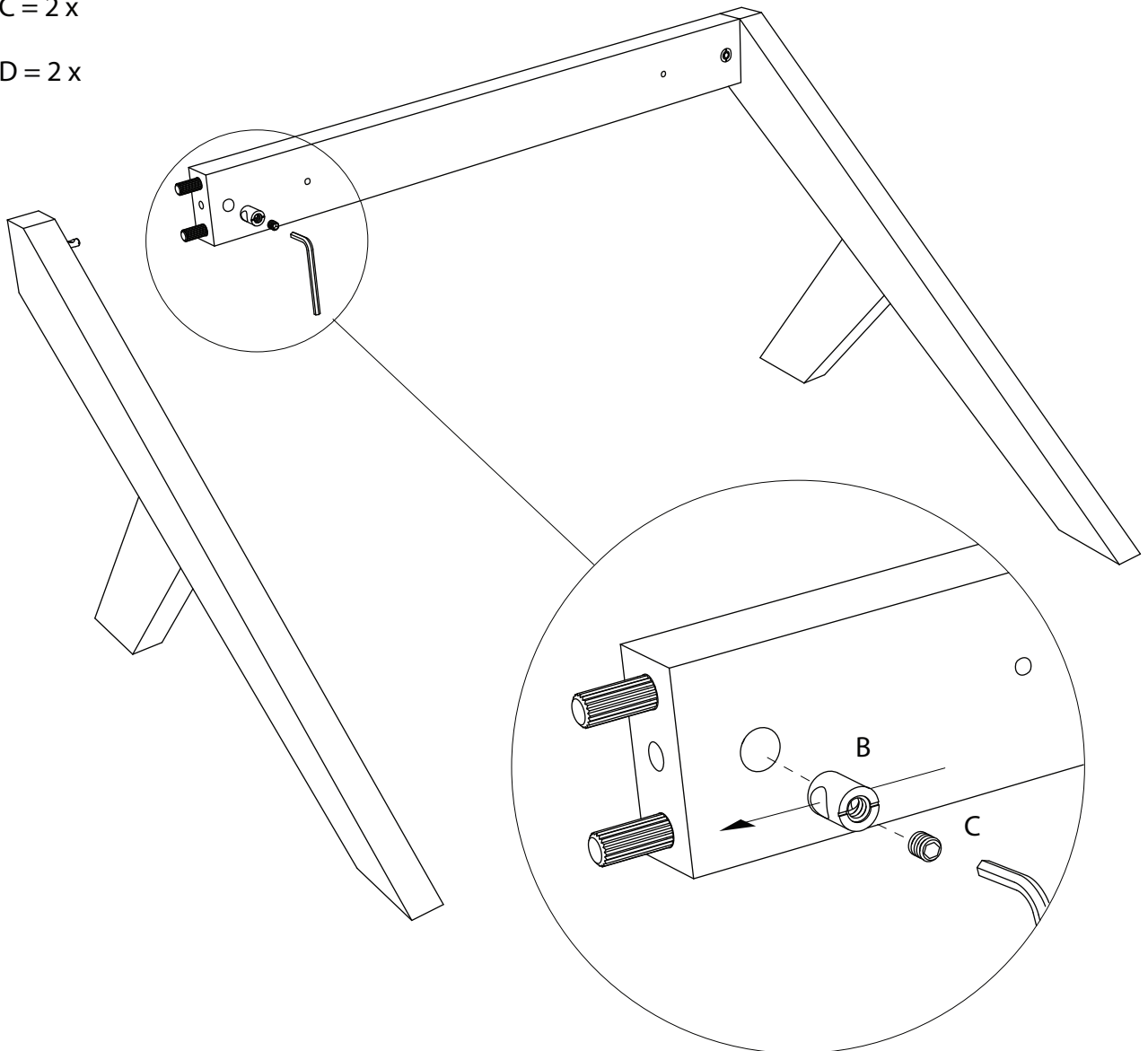
3



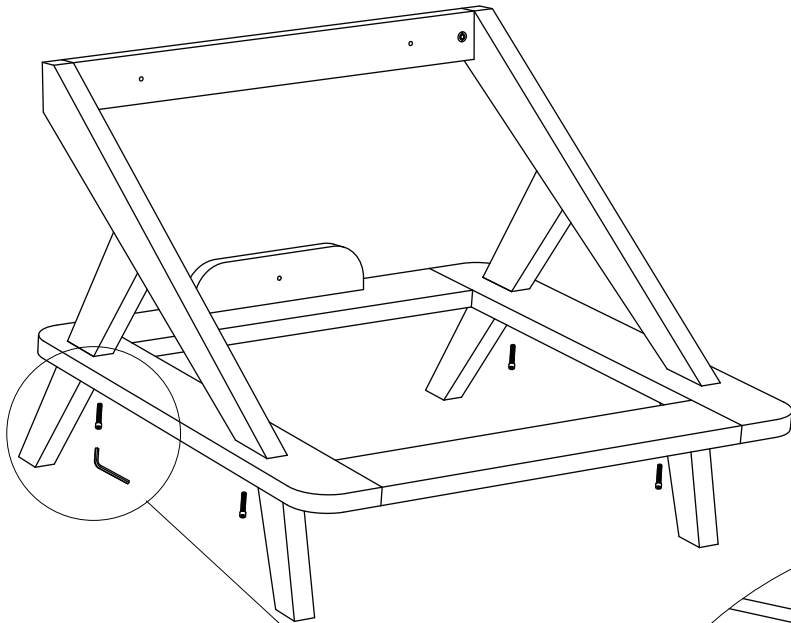
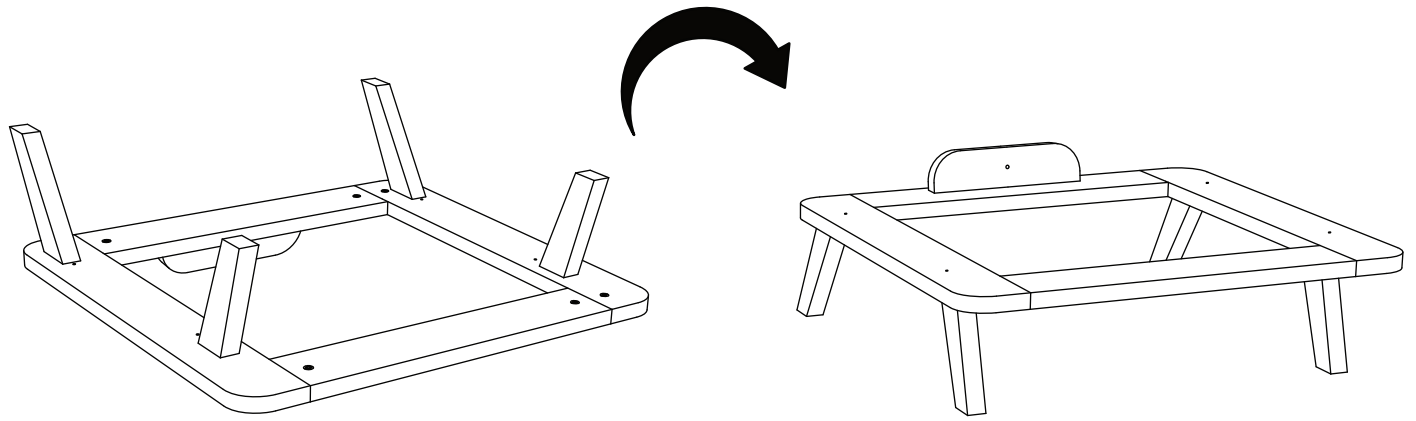
B = 2 x

C = 2 x

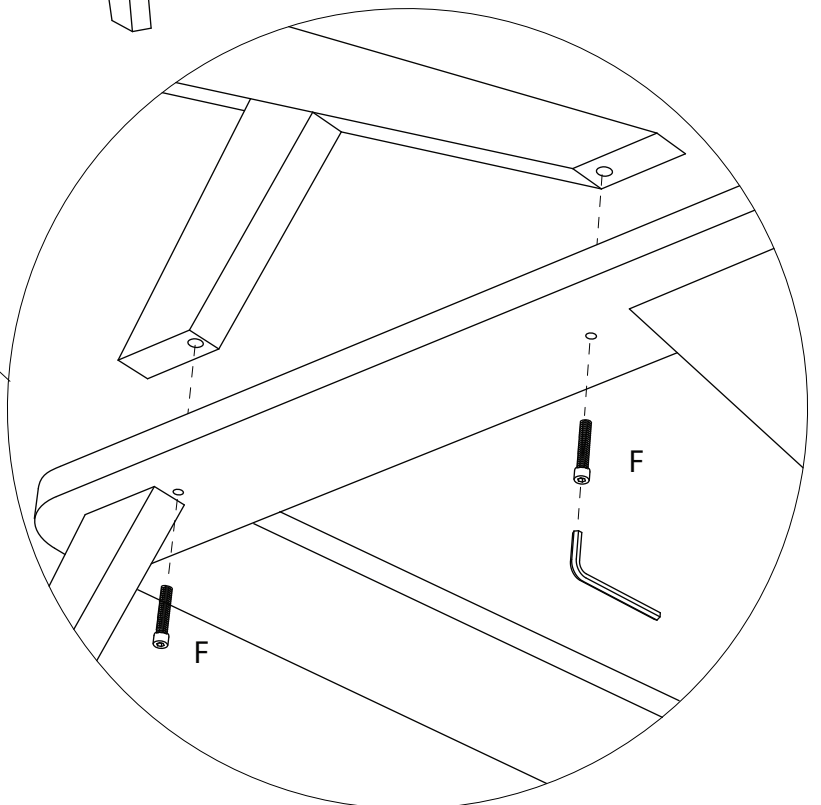
D = 2 x



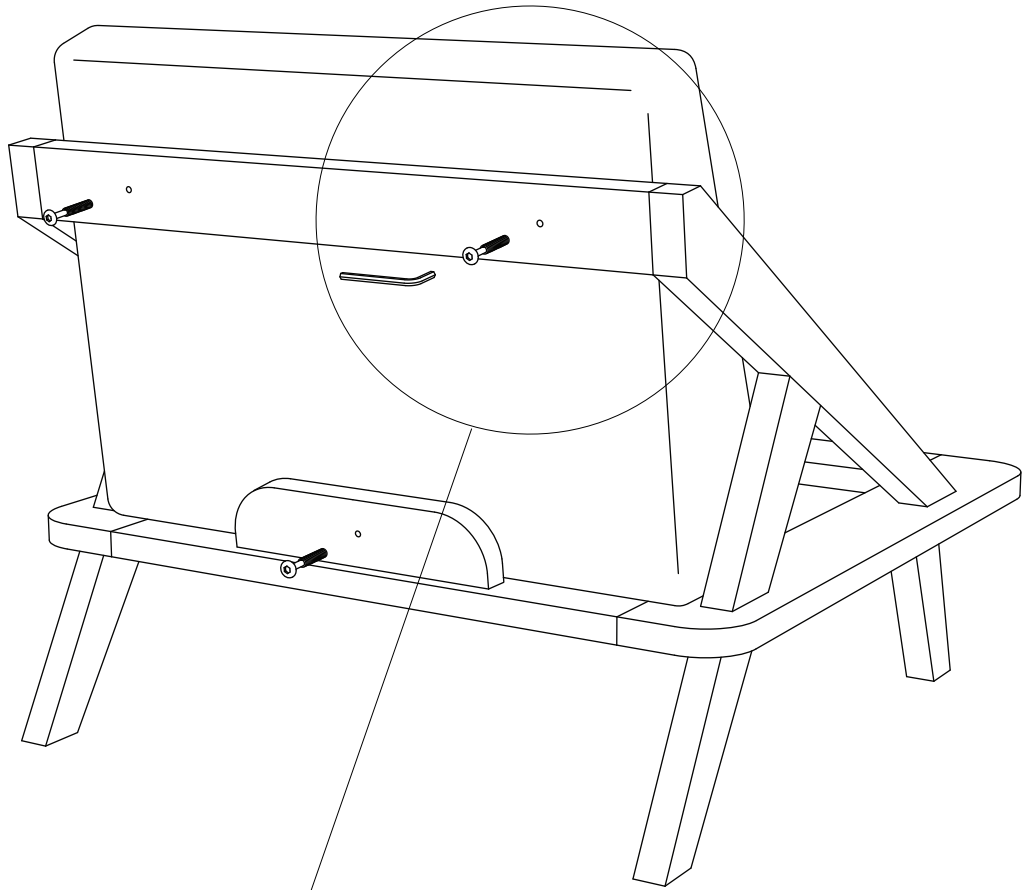
4



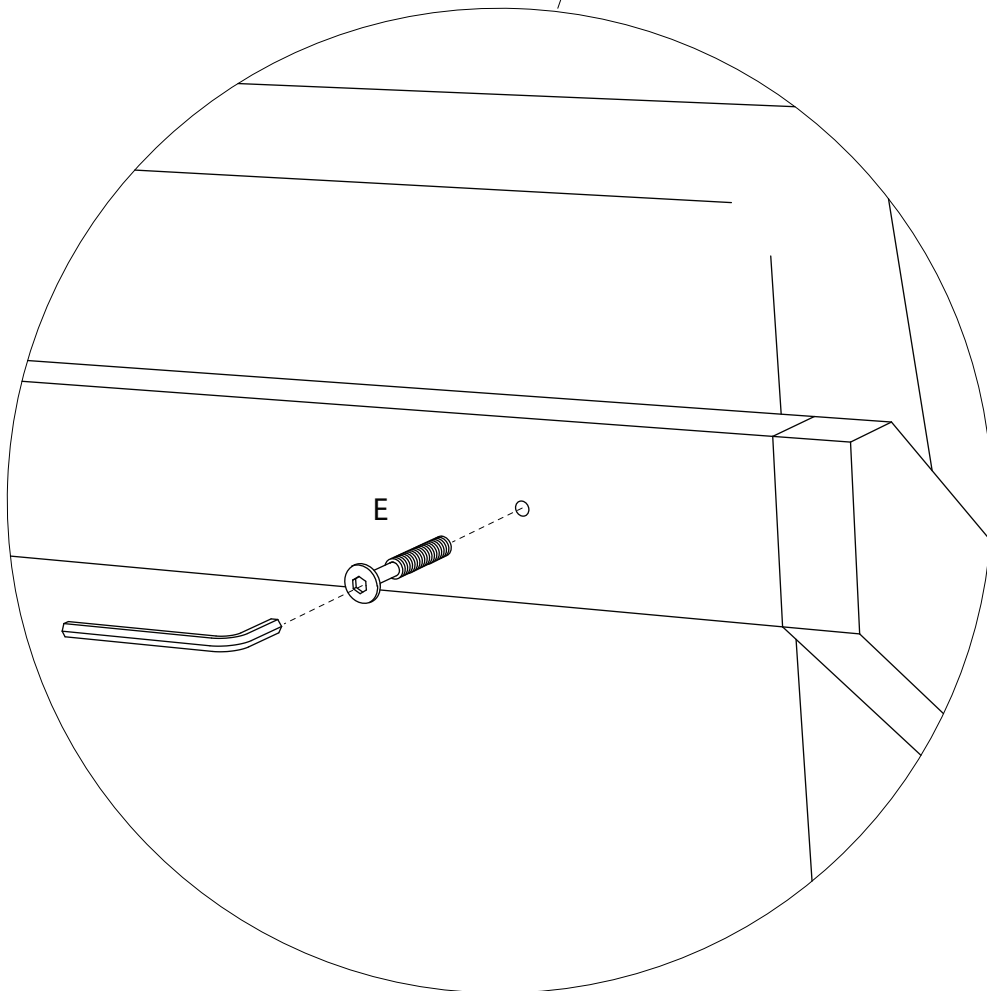
F = 4 x



5



E = 3 x



6

